

Customer Information Sheet

DRAWING No.: P70-1100045R

SHEET 2 OF 2

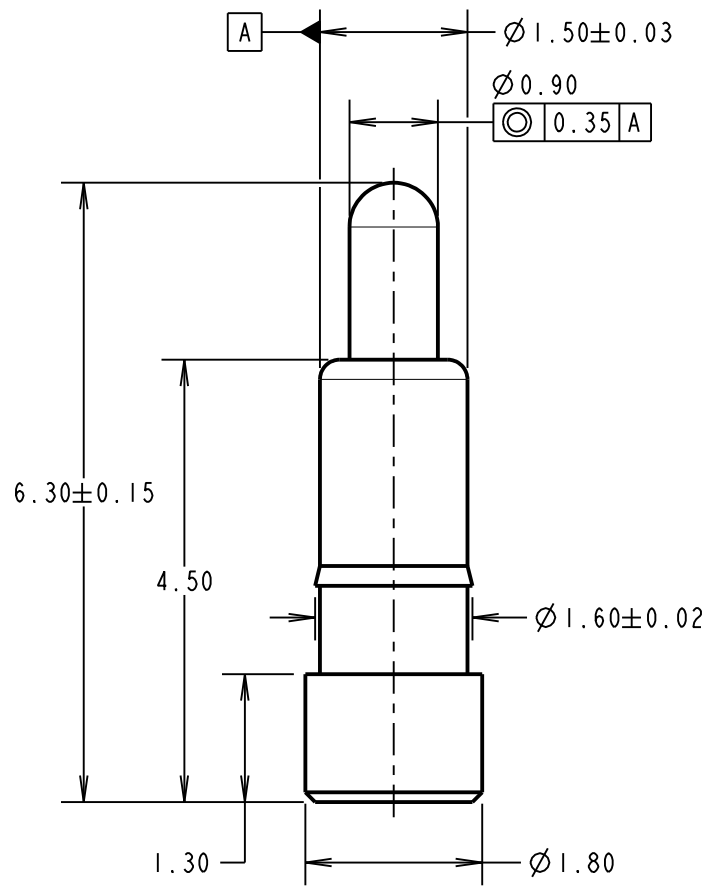
IF IN DOUBT - ASK

©

NOT TO SCALE

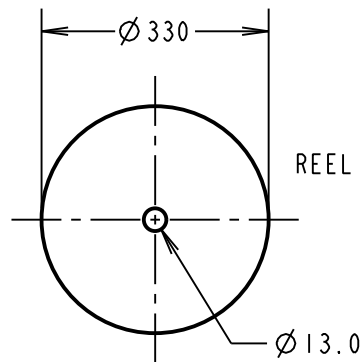
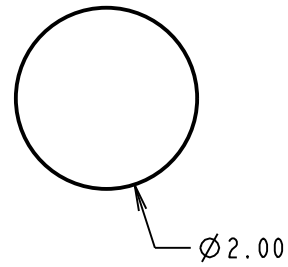
THIRD ANGLE PROJECTION

ALL DIMENSIONS IN mm

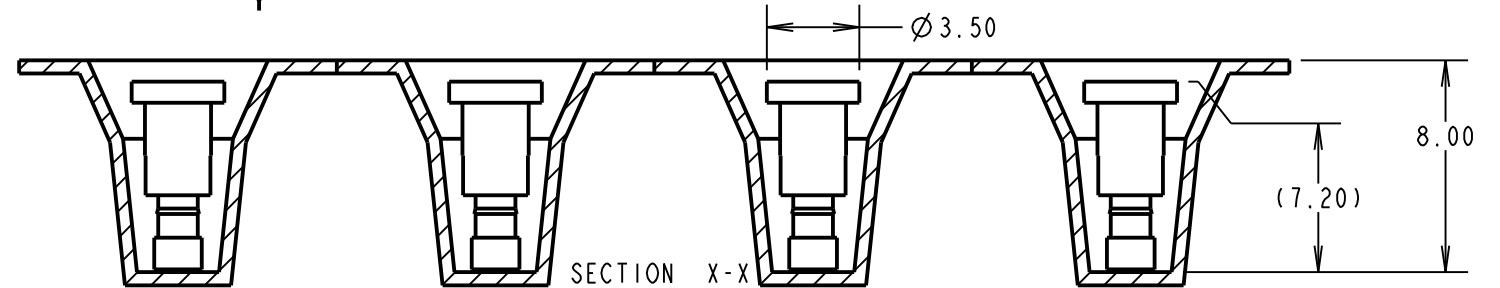
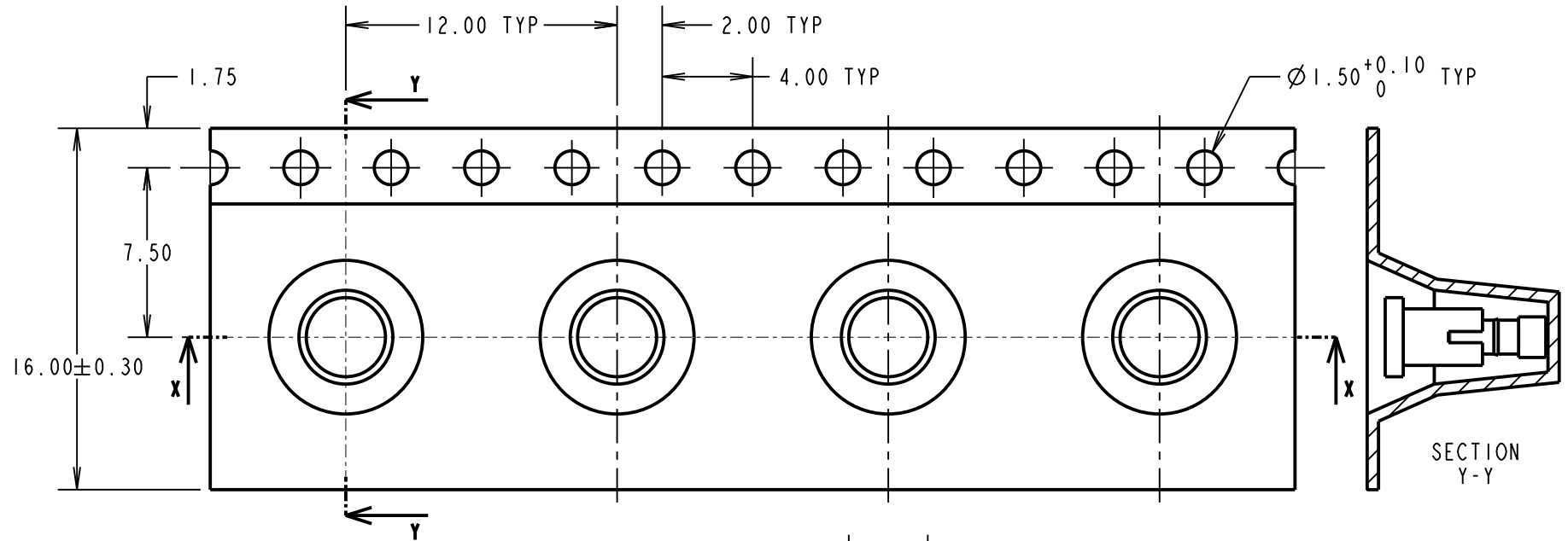


COMPONENT DETAILS

RECOMMENDED PCB PAD LAYOUT

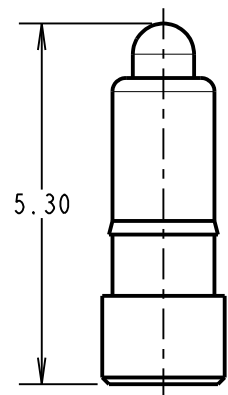


REEL DETAILS

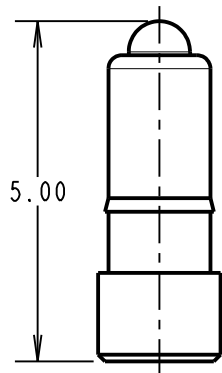


SECTION X-X

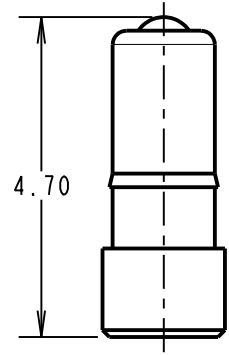
SECTION Y-Y



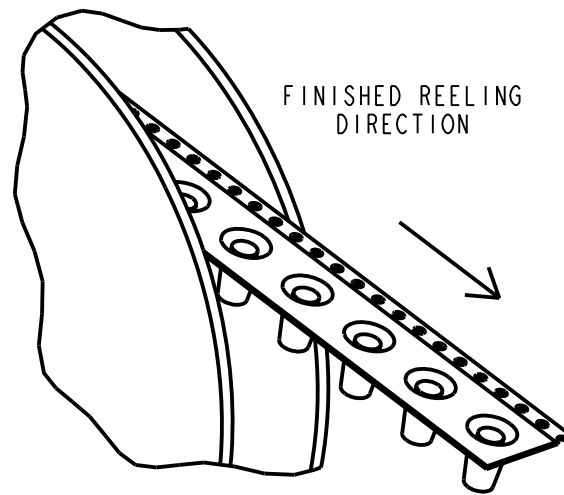
MAXIMUM WORKING HEIGHT



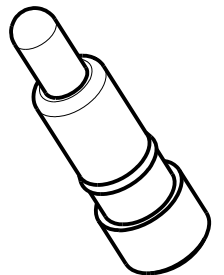
NORMAL WORKING HEIGHT



MINIMUM WORKING HEIGHT/MAX ALLOWED TRAVEL



FINISHED REELING DIRECTION



NOTES:

- IF ASSEMBLING PIN INTO MOULDING:
RECOMMENDED HOLE SIZE = Ø1.56 MIN.
RECOMMENDED MATERIAL = GLASS FILLED PA46.
- ALL PRODUCTS ARE RoHS COMPLIANT.
- PRODUCT IS TAPE AND REELED IN GENERAL ACCORDANCE WITH EIA-481 (ELECTRONIC INDUSTRIES ASSOCIATION).

SPECIFICATION:

MATERIAL:
BODY & PLUNGER = BRASS
SPRING = STAINLESS STEEL WIRE
PLATING:
BODY = 0.1µ GOLD OVER 1.4µ NICKEL
PLUNGER = 0.4µ GOLD OVER 1.4µ NICKEL
ELECTRICAL:
CONTACT RESISTANCE = 30mΩ MAX
CURRENT RATING = 2.0A
MECHANICAL:
FORCE AT NORMAL HEIGHT = 1.22N ±0.34N
DURABILITY = 10,000 CYCLES
ENVIRONMENTAL:
OPERATING TEMPERATURE = -40°C TO 85°C
PACKING:
QUANTITY: 650 COMPONENTS PER REEL

MSP	2	19.08.16	20041
NAME	ISS.	DATE	C/NOTE
APPROVED:		M.PERREN	
CHECKED:		S.BENNETT	
DRAWN:		S.BENNETT	
CUSTOMER REF.:			
ASSEMBLY DRG:			

HARWIN

www.harwin.com
technical@harwin.com

THIS DRAWING AND ANY INFORMATION OR DESCRIPTIVE MATTER SET OUT HEREON ARE CONFIDENTIAL AND COPYRIGHT PROPERTY OF THE HARWIN GROUP AND MUST NOT BE DISCLOSED, LOANED, COPIED OR USED FOR MANUFACTURING, TENDERING OR FOR ANY OTHER PURPOSE WITHOUT THEIR WRITTEN PERMISSION.

TOLERANCES
X. = ±1mm
X.X = ±0.50mm
X.XX = ±0.10mm
X.XXX = ±0.01mm
ANGLES = ±5°
UNLESS STATED

MATERIAL:
SEE ABOVE
FINISH: SEE ABOVE
S/AREA: mm²

TITLE:
SMT SPRING LOADED POGO PIN IN TAPE AND REEL

DRAWING NUMBER:
P70-1100045R

SHT 2 OF 2