

4

3

2

1

THIS DRAWING IS UNPUBLISHED.

RELEASED FOR PUBLICATION

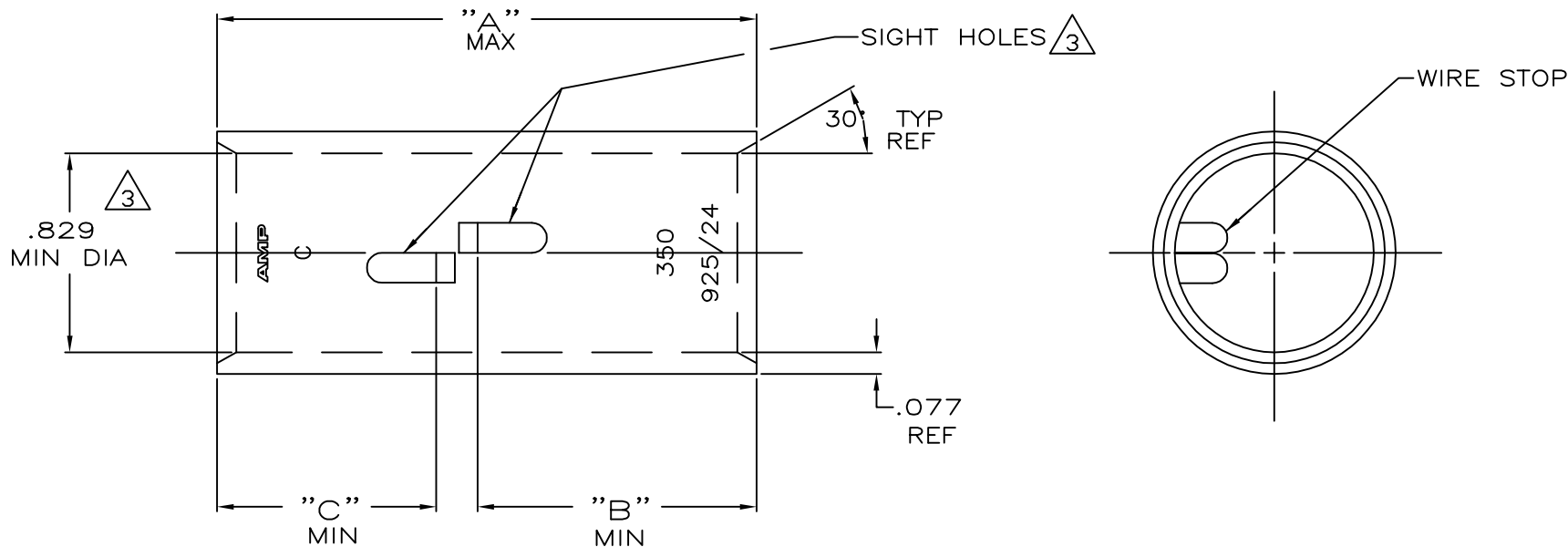
ALL RIGHTS RESERVED.

© COPYRIGHT - By -

LOC G DIST 86

REVISIONS

P	LTR	DESCRIPTION	DATE	DWN	APVD
	N	ECR-13-000998	11FEB2013	PK	HS



① TIN PL .000150 MIN THK MIL-T-10727

② PART NO: 324464; .146 LB.
 PART NO: 1-324464-0; .146 LB.
 PART NO: 2-324464-1; .164 LB.
 PART NO: 2-324464-2; .164 LB.

③ .045 MAX BURR ALLOWED INSIDE THE WIRE BARREL ID IN AREA OF SIGHT HOLE.

.91	1.16	2.29	CLEANED	325-375 MCM	COPPER ASTM-B-75 ANNEALED	2-324464-2
			①			2-324464-1
.91	.91	2.06	CLEANED			1-324464-0
			①			324464
"C"	"B"	"A"	FINISH	WIRE RANGE	MATERIAL	PART No

THIS DRAWING IS A CONTROLLED DOCUMENT.

DIMENSIONS: INCHES	TOLERANCES UNLESS OTHERWISE SPECIFIED:	DWN DK SCHRUM 4/24/89	
	0 PLC ± -	CHK MS FEHER 4/24/89	
	1 PLC ± -	APVD WJ VOCKROTH 11/8/89	
	2 PLC ± -	NAME	
MATERIAL SEE TABLE	FINISH SEE TABLE	PRODUCT SPEC	SPLICE, BUTT, AMPPOWER WIRE SIZE: 350 MCM
		APPLICATION SPEC	SIZE CAGE CODE DRAWING NO RESTRICTED TO
		WEIGHT	A3 00779 C=324464
		CUSTOMER DRAWING	SCALE 2:1 SHEET 1 OF 1 REV N