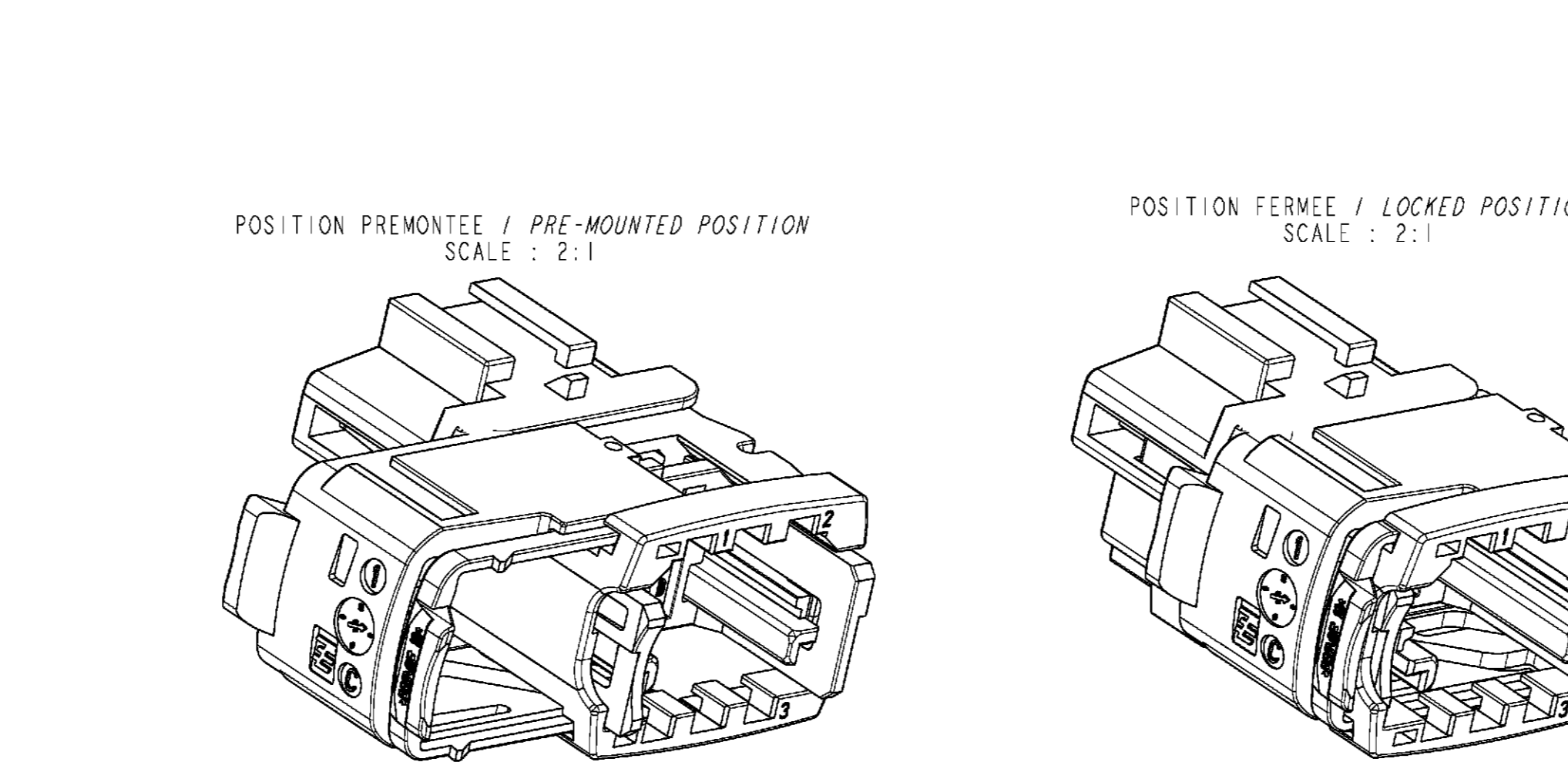


REFERENCES ET CODAGES COULEURS ASSOCIES
PART REFERENCES AND COLOR KEYING ASSOCIATED

1544226-1	1544226-3	1544226-2	TE REFERENCE
NOIR : COTE X1 = 17.5 ⁰ / _{-0.2} BLACK COTE X2 = 17.5 ⁰ / _{-0.2}	VERT : COTE X1 = 17.5 ⁰ / _{-0.2} GREEN COTE X2 = 17.5 ⁰ / _{-0.2}	BLEU : COTE X1 = 17.5 ⁰ / _{-0.2} BLUE COTE X2 = 17.5 ⁰ / _{-0.2}	COULEUR COLOR
			POSITION DES CODAGES KEYING POSITION DETAIL



NOTA / NOTES:
 - MSP : COTES SUIVIES EN MSP / DIMENSIONS FOLLOWED BY SPC
 - CDC CONNECTIQUE PSA : 96306034-99 / PSA PRODUCT SPECIFICATION: 96306034-99
 - () : COTES POUR INFORMATION / DIMENSIONS FOR INFORMATION ONLY

DESIGNATION DESIGNATION	TE PN	COULEUR COLOR	MATIERE MATERIAL
PORTE LANGUETTE ASSEMBLE TAB HOUSING ASSEMBLED	1544226-1	NOIR / BLACK	PBT 10% FV V0
	1544226-2	BLEU / BLUE	
	1544226-3	VERT / GREEN	
GRILLE DE DETECTION DETECTION GRID	-	JAUNE / YELLOW	PBT 10% FV V0
ETRIER 3 VOIES SLIDER	-	ROUGE / RED	PBT 10% FV V0
LANGUETTE 6.35NGI 6.35NGI TAB	1544218-1	PROTECTION / PLATING Sn 0.8µm alto 1.5µm	Cu Sn Mg

TYCO ELECTRONICS Tyco Electronics France SAS
 517, Av. de la Boissière, 73000 Chambéry

OWN PRESINE: 27JAN2006
 L. CORONELLI
 P. FLORES
 APPROUVE: 27JAN2006
 J. DASSI
 PRODUCT SPEC
 SPEC. PROBIT

APPLICATION SPEC
 SPEC. APPLICATION
 4-11-1567

WEIGHT
 MASSE APPROX. 20 g

CUSTOMER DRAWING / PLAN CLIENT
 /PLAN CLIENT POUR REFERENCE

SCALE: 2:1
 SHEET: 1 OF 1
 REV: E