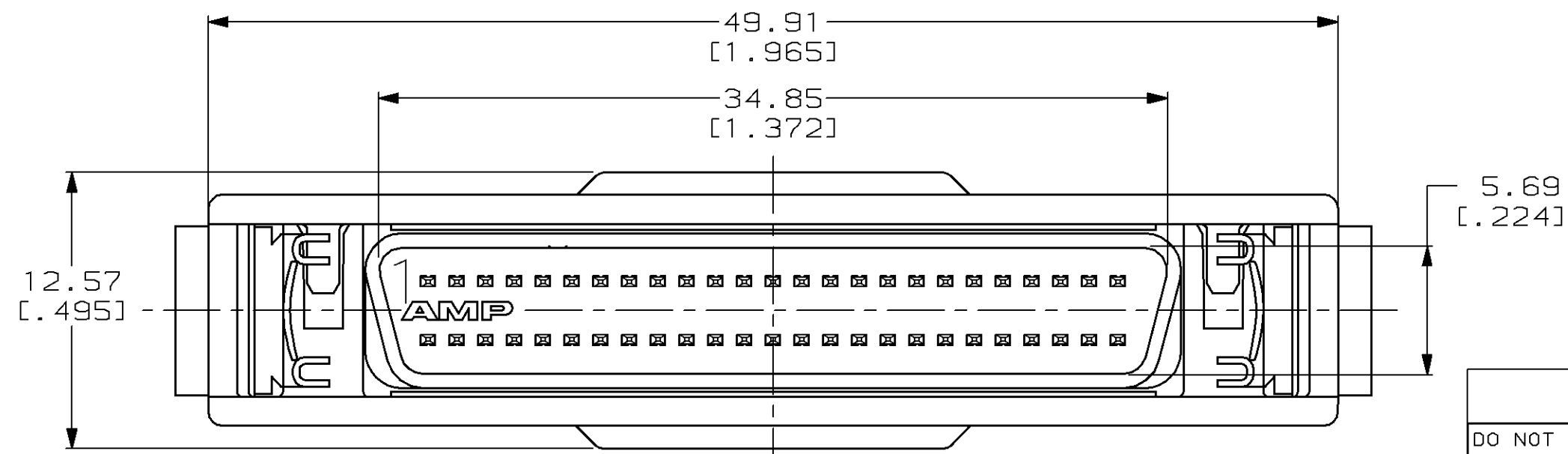
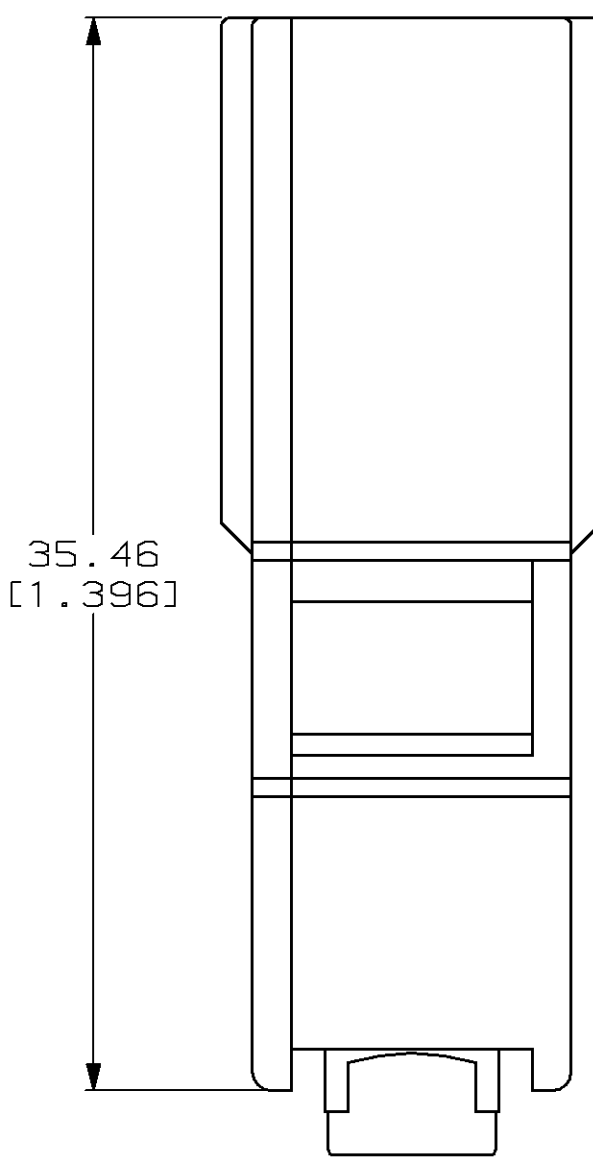
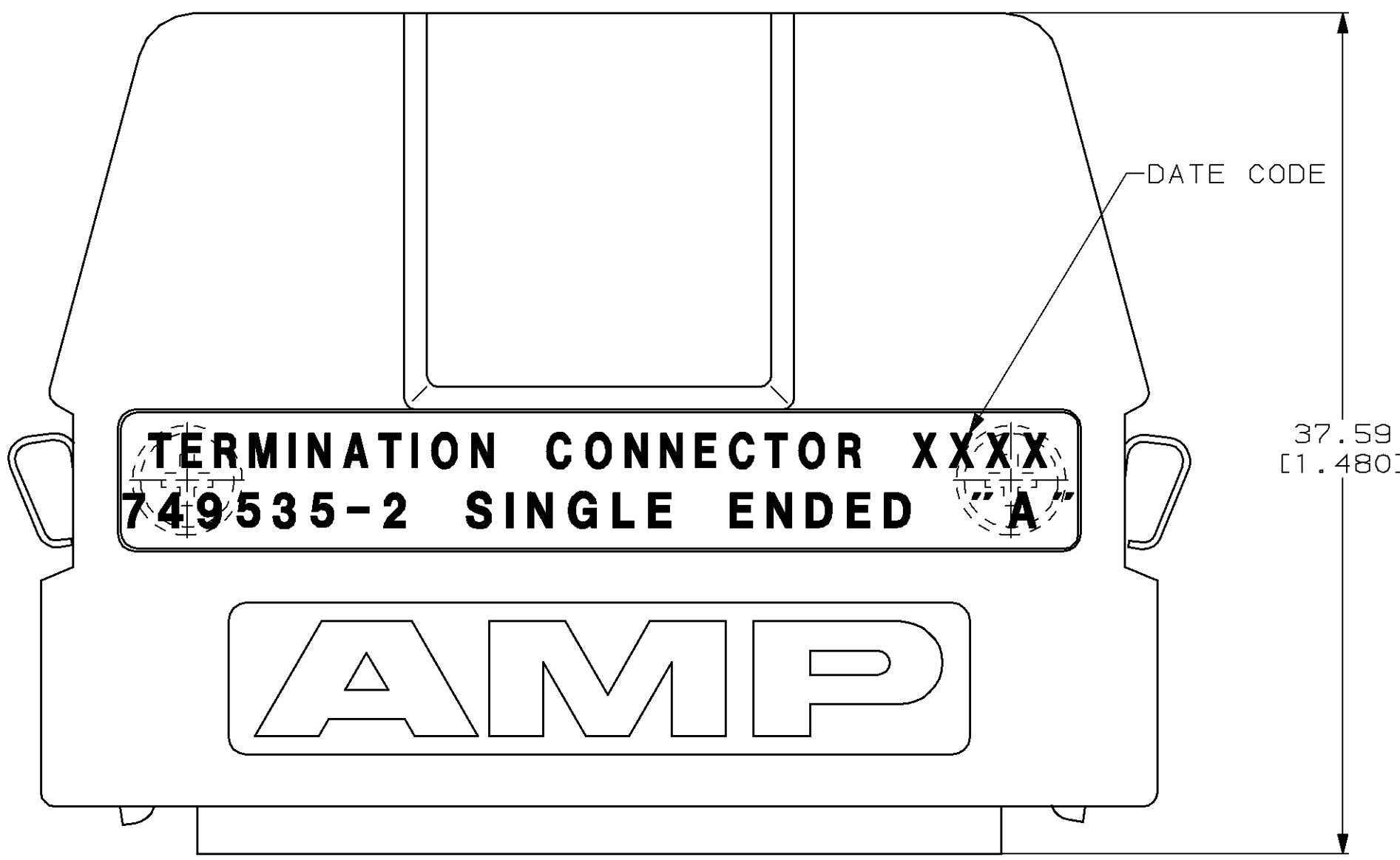
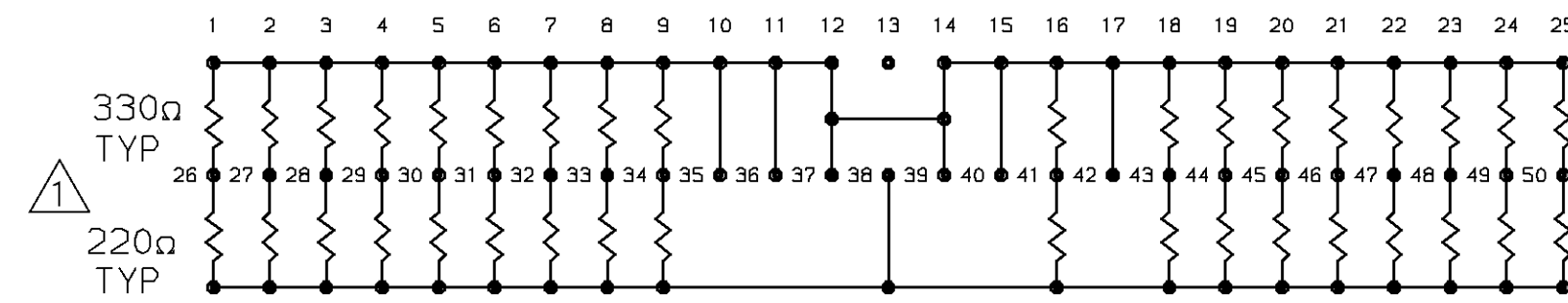
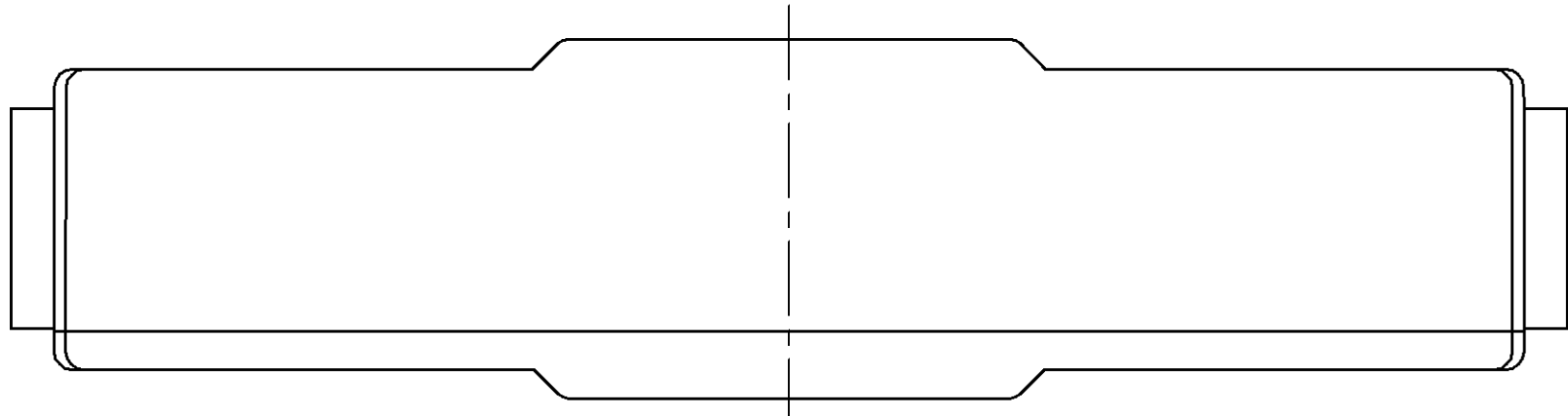


MOD		LOC		DIST		REVISIONS				
P	F	ZONE	LTR	DESCRIPTION	DATE	APPD				
1	1	BD		62			E	REV PER EC 0020-601-93	10/27/93	PR
							F	REV PER EC 0020-1283-94	01/04/95	PR



TOLERANCE: ±5%

DO NOT SCALE PRINT. UNLESS SPECIFIED DIMENSIONS IN mm [INCHES] TOLERANCES ON : 2 PLC DEC ±.25 [.010] 3 PLC DEC ± - ANGLES ± -		DR 09/25/89 S.G.SMITH	AS SHOWN		749535-2
MATERIAL HOUSING: ZINC DIE CASTING CONTACT: PHOS BRONZE INSERT: THERMOPLASTIC RESISTOR: THICK FILM NETWORK ON ALUMINA SUBSTRATE LATCHES: STAINLESS STEEL	CHK 09/25/89 K.ULERY	APPD 09/25/89 B. MOSSER	REMARKS		
FINISH HOUSING: NICKEL OVER COPPER CONTACT: 30μ" GOLD OVER NICKEL LATCHES: NONE	APPD 09/25/89 E.MYERS	PRODUCT SPEC	PART NO		
APPLICATION SPEC		NAME	AMP INCORPORATED Harrisburg, Pa. 17105		
WEIGHT -		SIZE	TERMINATION CONNECTOR AMPLIMITE .050 Series 50 POSN, PLUG		
		CAGE CODE	749535-2		
		DRAWING NO	749535-2		
		SCALE	SHEET 1 OF 1		