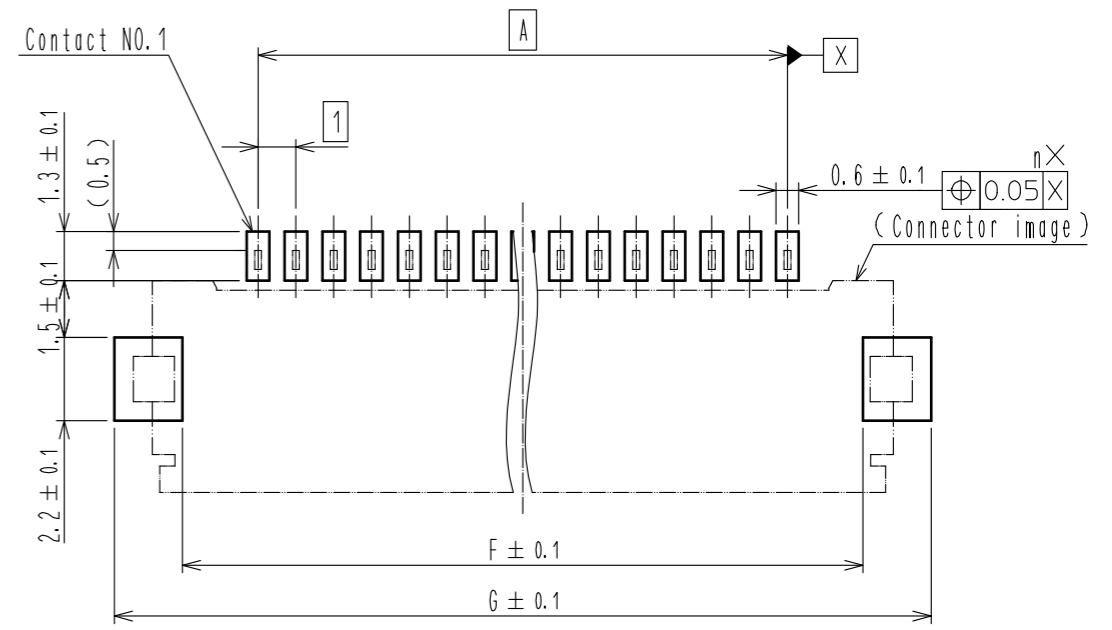
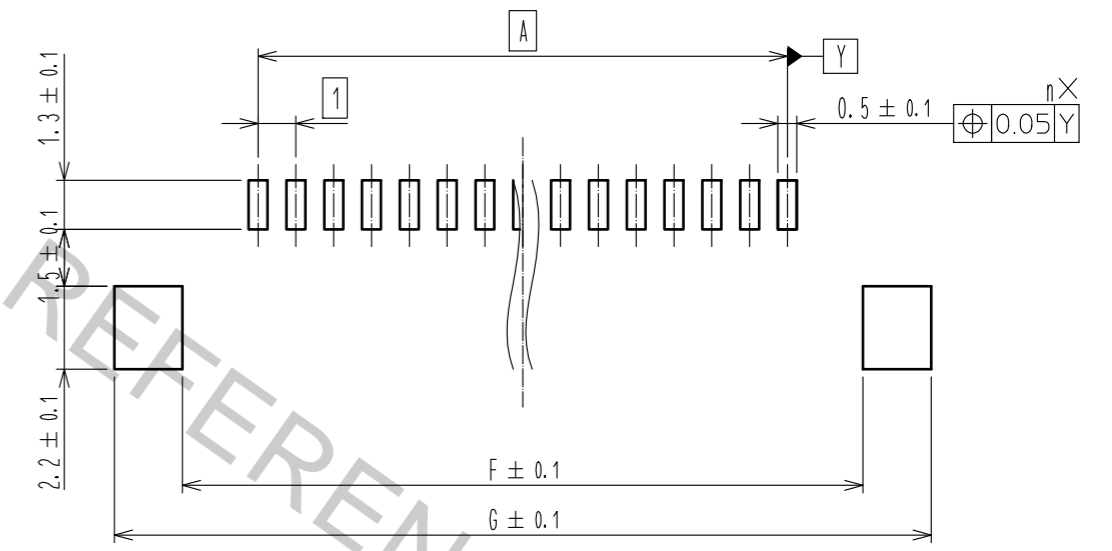


RECOMMENDED PCB MOUNTING PATTERN



RECOMMENDED STENCIL PATTERN  
(RECOMMENDED STENCIL THICKNESS: t=0.15)

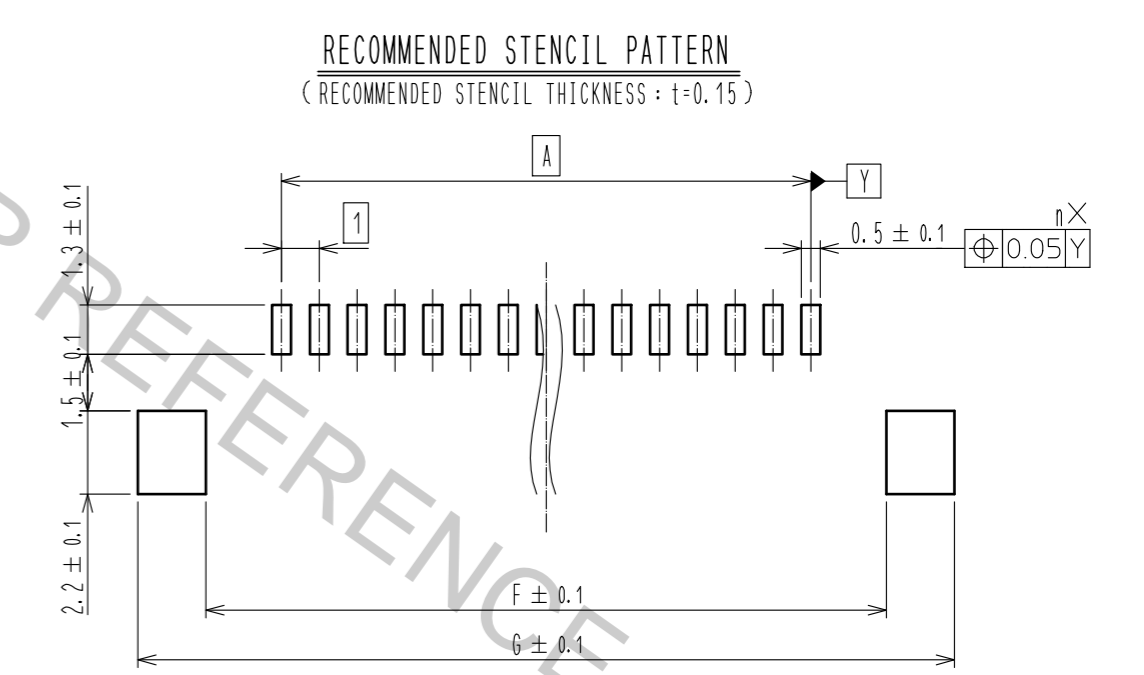
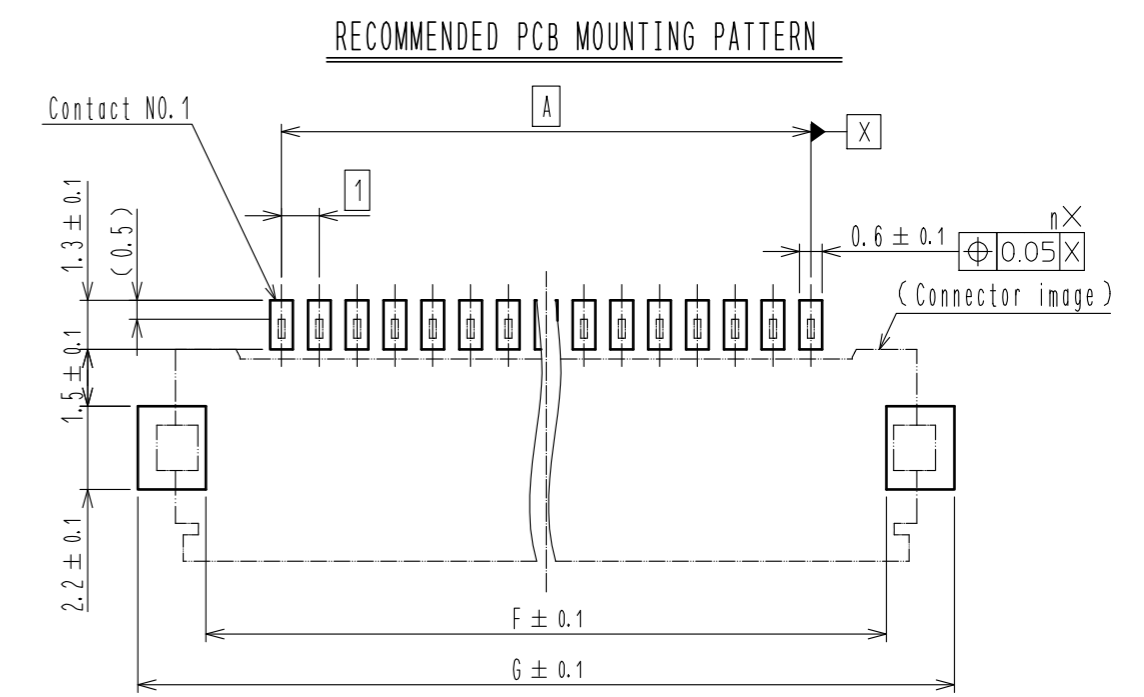
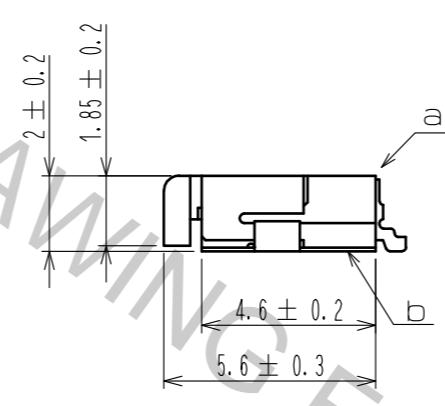
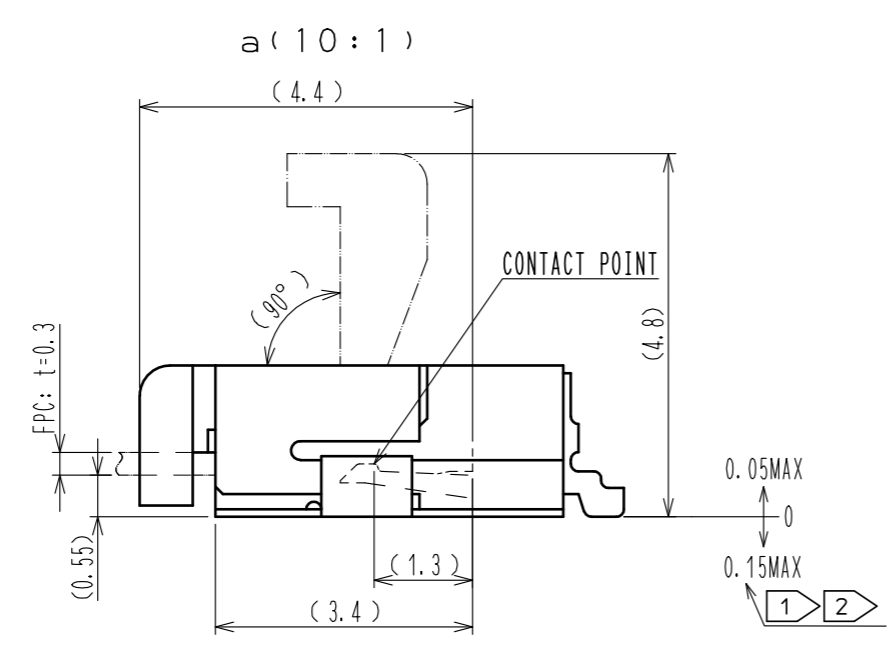
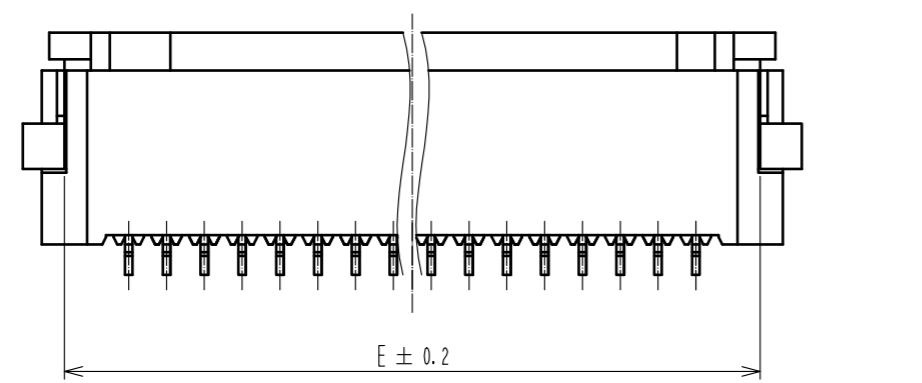
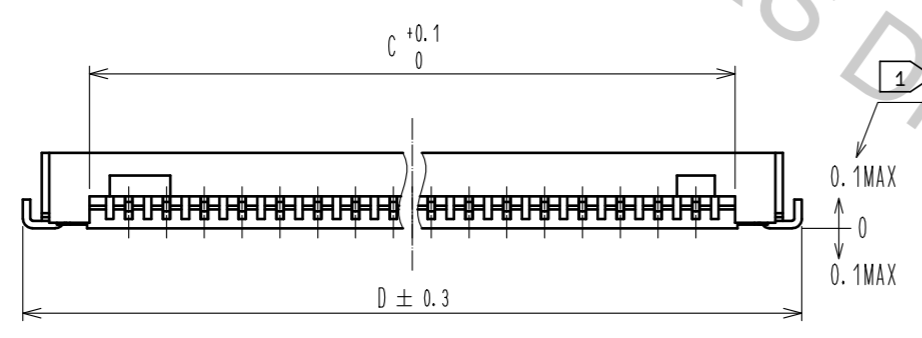
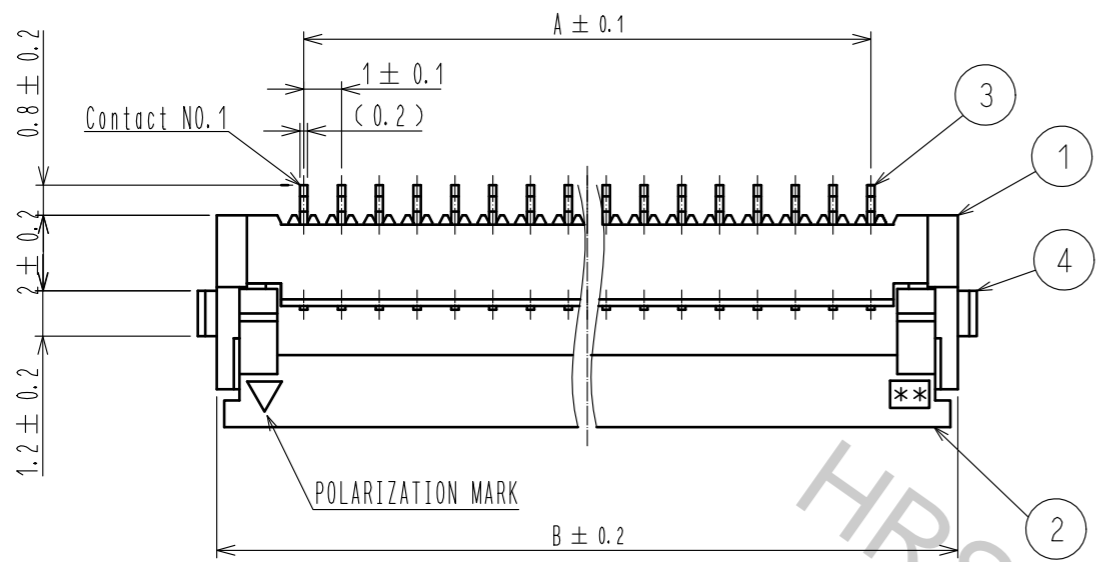


- NOTE
- ① REFERENCE IS b.
  - ② LEAD CO-PLANARITY SHALL BE 0.1 MAX.
  - ③ 'n' REPRESENTS THE NUMBER OF CONTACTS.
  - ④ THE DIMENSIONS IN PARENTHESES ARE FOR REFERENCE.

< 16 CONTACT OR LESS >

| 4   | BRASS           | TIN PLATING 1 $\mu$ M MIN OVER NICKEL 1 $\mu$ M MIN.    | 8   | (CONNECTOR) |                  |
|-----|-----------------|---|-----|-------------|------------------|
| 3   | PHOSPHOR BRONZE | GOLD PLATING 0.05 $\mu$ M MIN OVER NICKEL 1 $\mu$ M MIN | 7   | POLYSTYRENE |                  |
| 2   | PPS             | (DEEP BROWN) UL94V-0                                    | 6   | POLYESTER   |                  |
| 1   | POLYAMIDE       | (BEIGE) UL94V-0   | 5   | POLYSTYRENE |                  |
| NO. | MATERIAL        | FINISH . REMARKS  | NO. | MATERIAL    | FINISH . REMARKS |

|                                  |  |                |           |                              |          |         |      |
|----------------------------------|--|----------------|-----------|------------------------------|----------|---------|------|
| UNITS<br>mm                      |  | SCALE<br>5 : 1 | COUNT<br> | DESCRIPTION OF REVISIONS     | DESIGNED | CHECKED | DATE |
| APPROVED : NF. MIYAZAKI 15.12.09 |  |                |           | DRAWING NO. EDC-156279-55-00 |          |         |      |
| CHECKED : SJ. OKAMURA 15.12.09   |  |                |           | PART NO. FH12-**S-1SH(55)    |          |         |      |
| DESIGNED : SG. MASAKI 15.12.09   |  |                |           | CODE NO. CL586               |          |         |      |
| DRAWN : RN. IIDA 15.10.20        |  |                |           |                              |          |         |      |

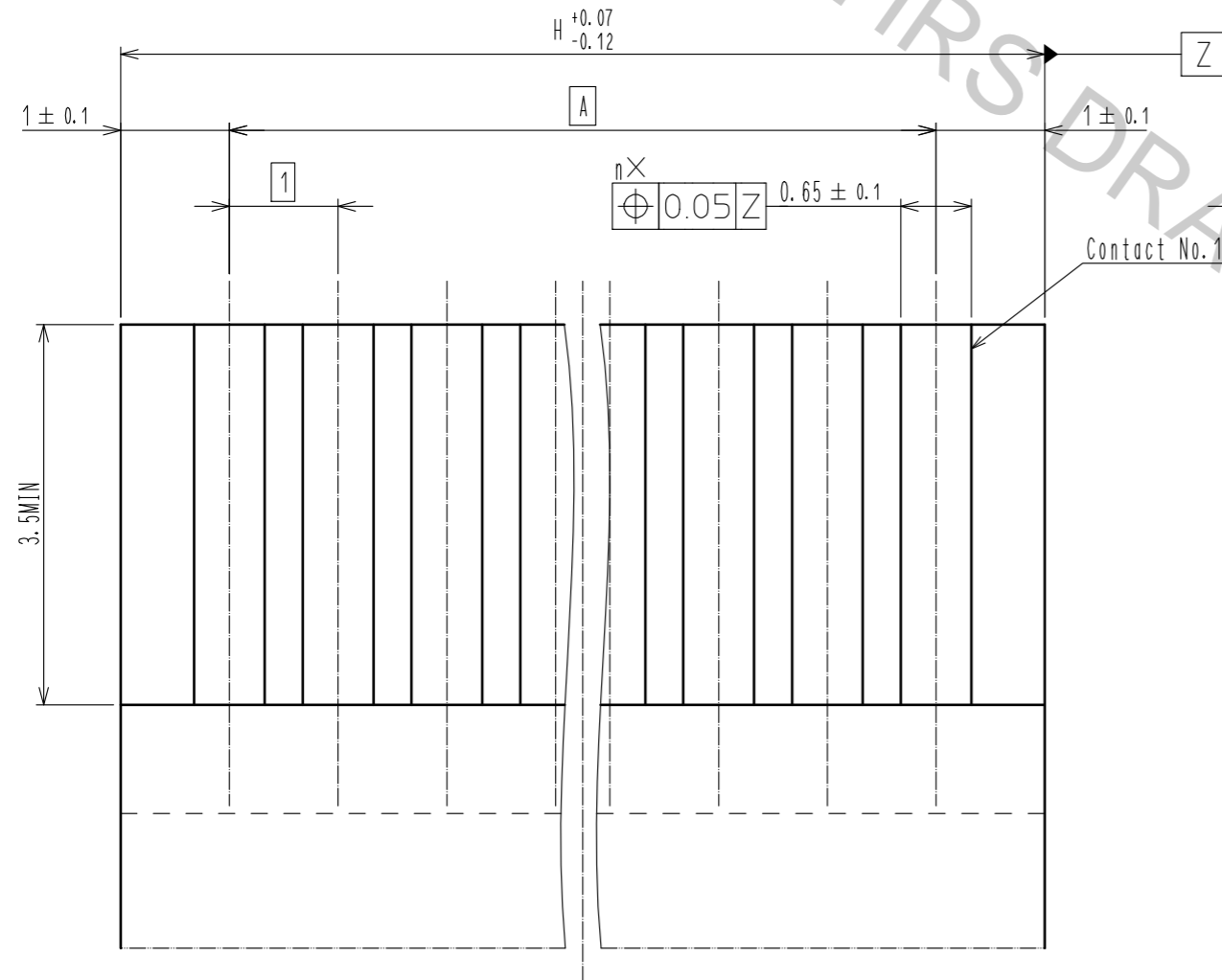


- NOTE
- ① REFERENCE IS b.
  - ② LEAD CO-PLANARITY SHALL BE 0.1 MAX.
  - ③ 'n' REPRESENTS THE NUMBER OF CONTACTS.
  - ④ THE DIMENSIONS IN PARENTHESES ARE FOR REFERENCE.

< 17 CONTACT OR MORE >

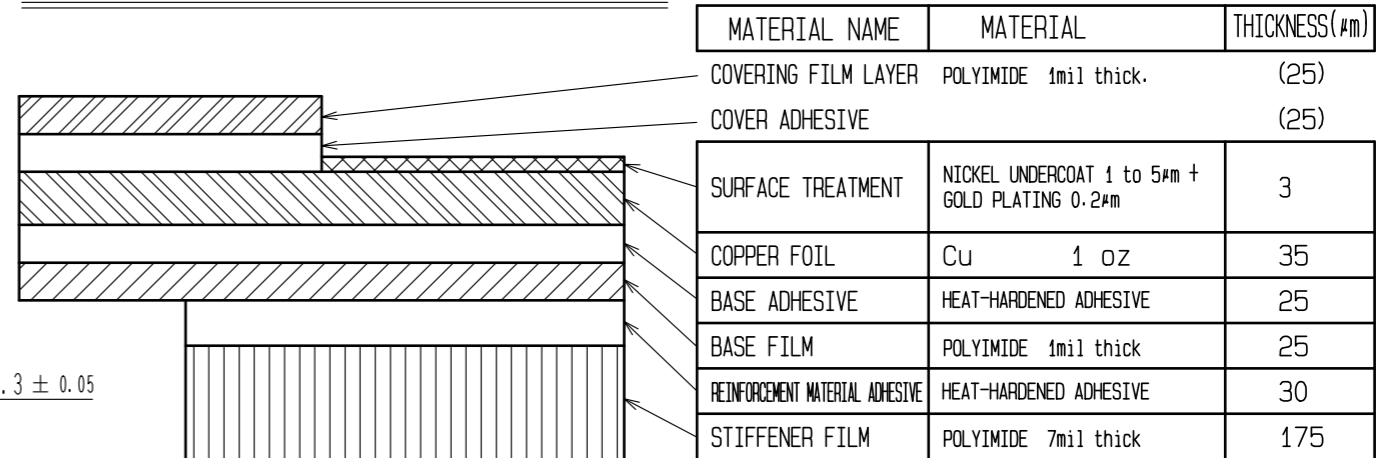
|            |             |                   |
|------------|-------------|-------------------|
| <b>HRS</b> | DRAWING NO. | EDC-156279-55-00  |
|            | PART NO.    | FH12-**-S-1SH(55) |
|            | CODE NO.    | CL586             |
|            |             | ②/5               |

RECOMMENDED FPC/FFC (15:1)

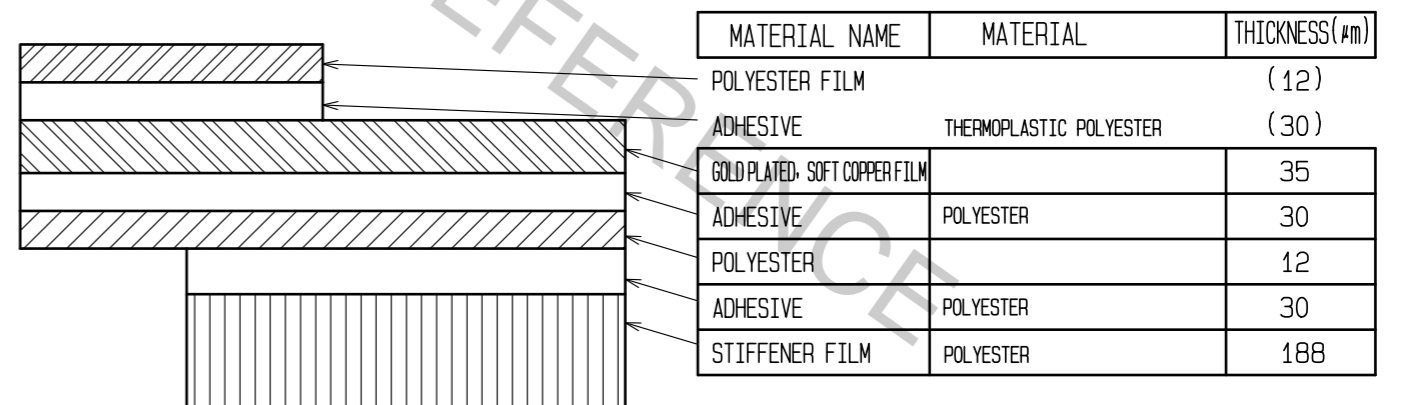


5 THICKNESS OF SUPPORTING TAPE SHALL BE 0.188(7.5MIL) MIN.

FPC CONFIGURATION (REFERENCE EXAMPLE) (SCALE:FREE)



FFC CONFIGURATION (REFERENCE EXAMPLE) (SCALE:FREE)

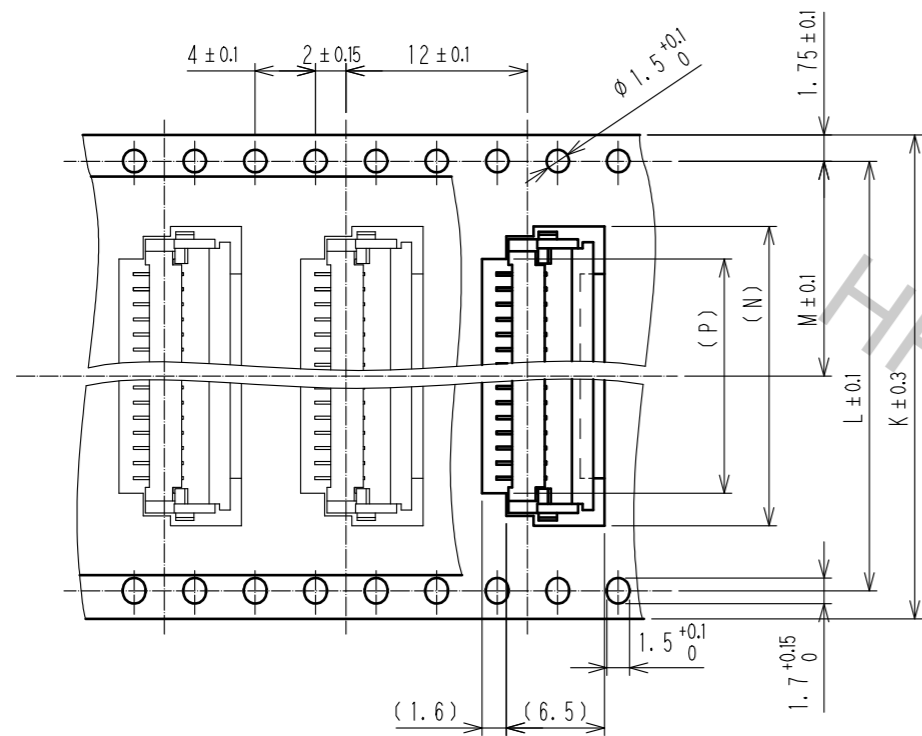


|            |             |                   |
|------------|-------------|-------------------|
| <b>HRS</b> | DRAWING NO. | EDC-156279-55-00  |
|            | PART NO.    | FH12-**-S-1SH(55) |
|            | CODE NO.    | CL586             |

3/5

EMBOSSED CARRIER TAPE DIMENSION(2:1)

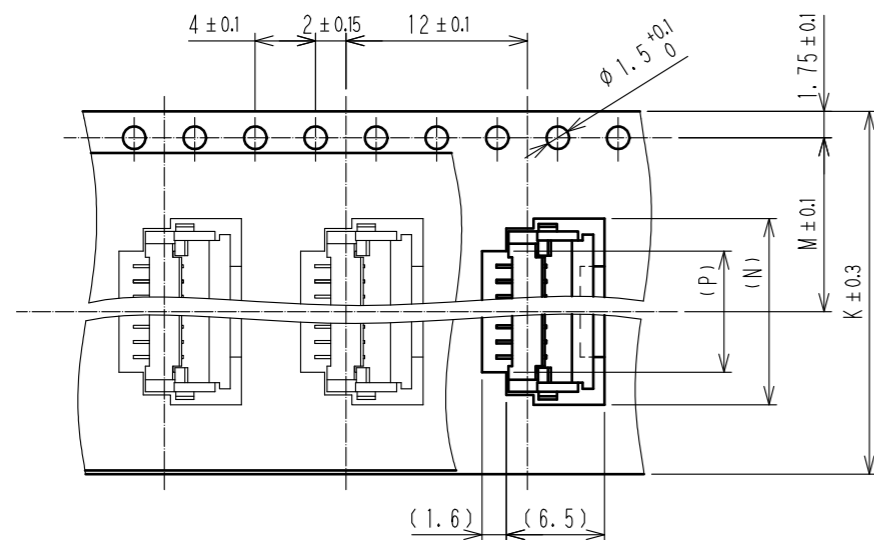
TAPE WIDTH:32mm MIN



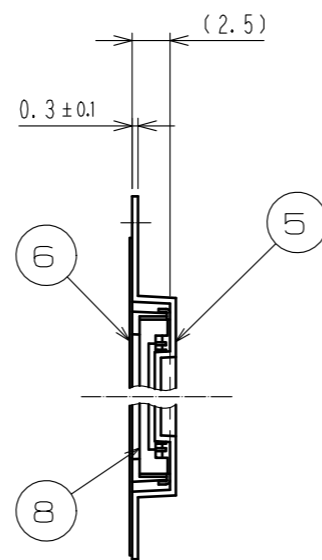
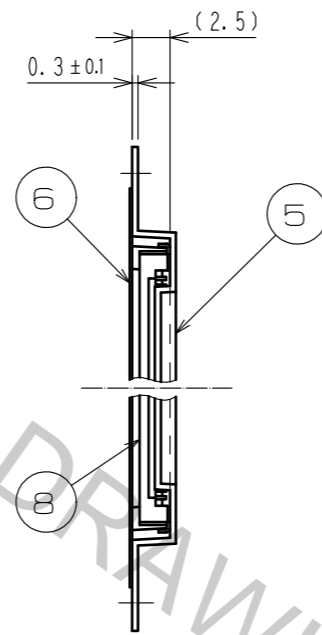
DIRECTION OF UNREELING



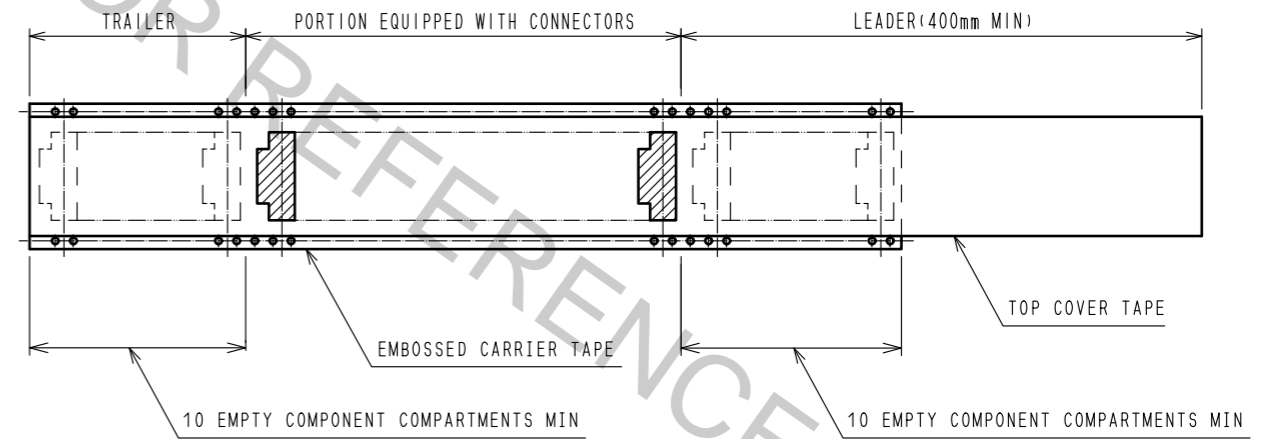
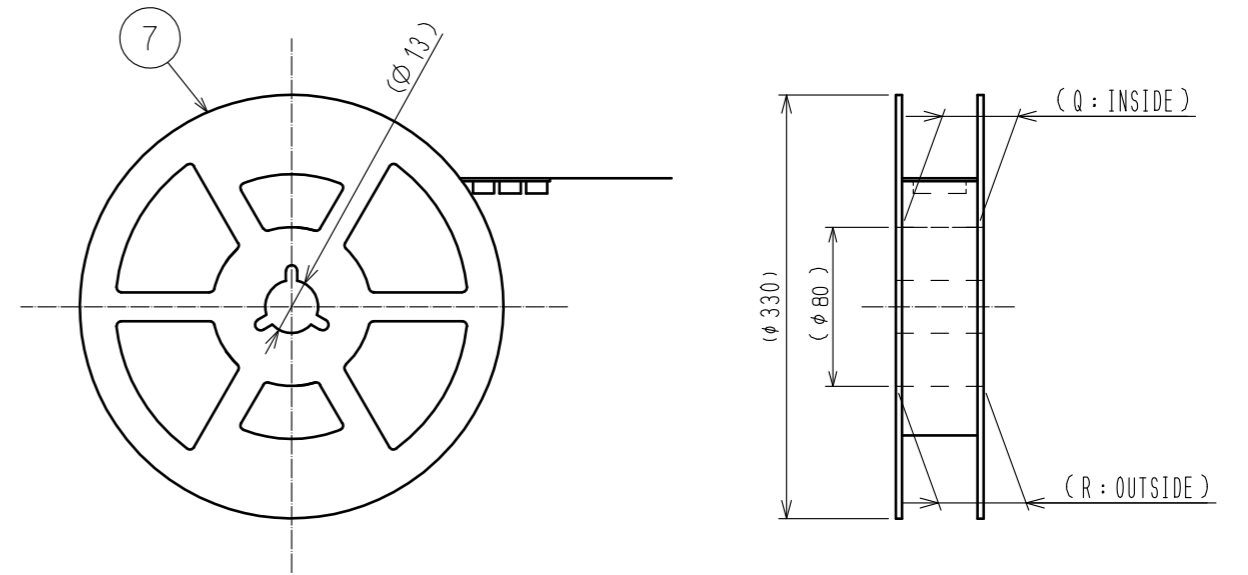
TAPE WIDTH:24mm MAX



DIRECTION OF UNREELING



REEL DIMENSION (FREE)



6 PER REEL:2000 CONNECTORS.

7 SEE DIMENSION TABLE IN THE APPENDIX.

<DRAWING FOR PACKING>

|            |             |                   |
|------------|-------------|-------------------|
| <b>HRS</b> | DRAWING NO. | EDC-156279-55-00  |
|            | PART NO.    | FH12-**-S-1SH(55) |
|            | CODE NO.    | CL586             |
|            |             | 4/5               |

| PART NO.          | CODE NO.        | NUMBER OF CONTACT | DIMENSION TABLE OF CONNECTOR, FPC, FFC, PCB MOUNTING PATTERN AND STENCIL PATTERN |      |       |      |      |    |      |    |    | DIMENSION TABLE OF DRAWING FOR PACKING |      |      |    |      |      |
|-------------------|-----------------|-------------------|--|------|-------|------|------|----|------|----|----|--|------|------|----|------|------|
|                   |                 |                   | A  | B    | C     | D    | E    | F  | G    | H  | K  | L                                      | M    | N    | P  | Q    | R    |
| FH12- 5S-1SH(55)  | CL586-0591-6-55 | 5                 | 4  | 8.6  | 6.07  | 9.6  | 7.4  | 7  | 10.6 | 6  | 16 | —                                      | 7.5  | 10.3 | 6  | 17.4 | 21.4 |
| FH12- 6S-1SH(55)  | CL586-0607-4-55 | 6                 | 5  | 9.6  | 7.07  | 10.6 | 8.4  | 8  | 11.6 | 7  | 24 | —                                      | 11.5 | 11.3 | 7  | 25.4 | 29.4 |
| FH12- 7S-1SH(55)  | CL586-0535-5-55 | 7                 | 6  | 10.6 | 8.07  | 11.6 | 9.4  | 9  | 12.6 | 8  | 24 | —                                      | 11.5 | 12.3 | 8  | 25.4 | 29.4 |
| FH12- 8S-1SH(55)  | CL586-0579-0-55 | 8                 | 7  | 11.6 | 9.07  | 12.6 | 10.4 | 10 | 13.6 | 9  | 24 | —                                      | 11.5 | 13.3 | 9  | 25.4 | 29.4 |
| FH12- 9S-1SH(55)  | CL586-0540-5-55 | 9                 | 8  | 12.6 | 10.07 | 13.6 | 11.4 | 11 | 14.6 | 10 | 24 | —                                      | 11.5 | 14.3 | 10 | 25.4 | 29.4 |
| FH12- 11S-1SH(55) | CL586-0668-9-55 | 11                | 10   | 14.6 | 12.07 | 15.6 | 13.4 | 13 | 16.6 | 12 | 24 | —                                      | 11.5 | 16.3 | 12 | 25.4 | 29.4 |
| FH12- 12S-1SH(55) | CL586-0741-7-55 | 12                | 11   | 15.6 | 13.07 | 16.6 | 14.4 | 14 | 17.6 | 13 | 24 | —                                      | 11.5 | 17.3 | 13 | 25.4 | 29.4 |
| FH12- 16S-1SH(55) | CL586-0536-8-55 | 16                | 15   | 19.6 | 17.07 | 20.6 | 18.4 | 18 | 21.6 | 17 | 32 | 28.4                                   | 14.2 | 21.3 | 17 | 33.4 | 37.4 |
| FH12- 17S-1SH(55) | CL586-0739-5-55 | 17                | 16   | 20.6 | 18.07 | 21.6 | 19.4 | 19 | 22.6 | 18 | 44 | 40.4                                   | 20.2 | 22.3 | 18 | 45.4 | 49.4 |
| FH12- 22S-1SH(55) | CL586-0547-4-55 | 22                | 21   | 25.6 | 23.07 | 26.6 | 24.4 | 24 | 27.6 | 23 | 44 | 40.4                                   | 20.2 | 27.3 | 23 | 45.4 | 49.4 |
| FH12- 26S-1SH(55) | CL586-0592-9-55 | 26                | 25   | 29.6 | 27.07 | 30.6 | 28.4 | 28 | 31.6 | 27 | 44 | 40.4                                   | 20.2 | 31.3 | 27 | 45.4 | 49.4 |

DRAWING FOR REFERENCE

|            |             |                   |
|------------|-------------|-------------------|
| <b>HRS</b> | DRAWING NO. | EDC-156279-55-00  |
|            | PART NO.    | FH12- **S-1SH(55) |
|            | CODE NO.    | CL586             |