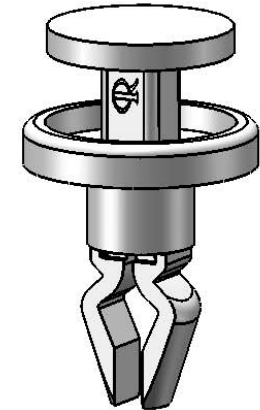
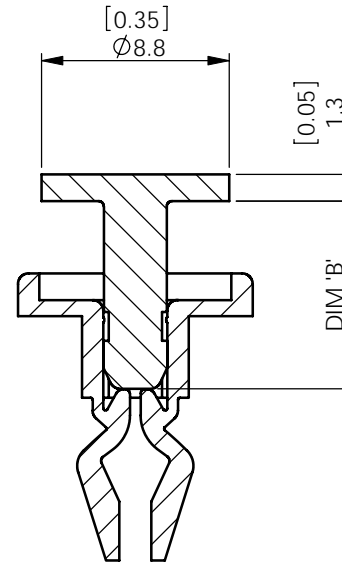
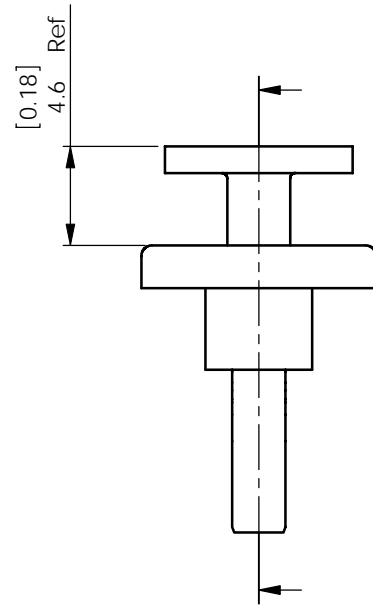
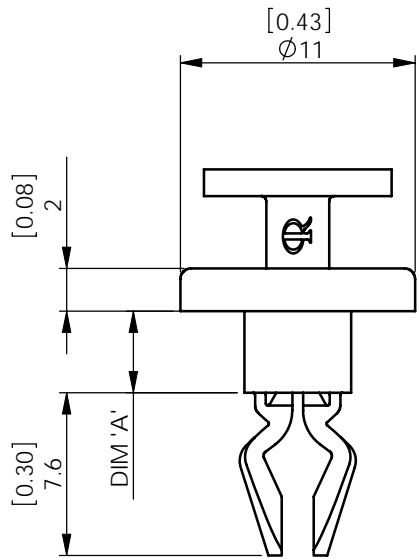


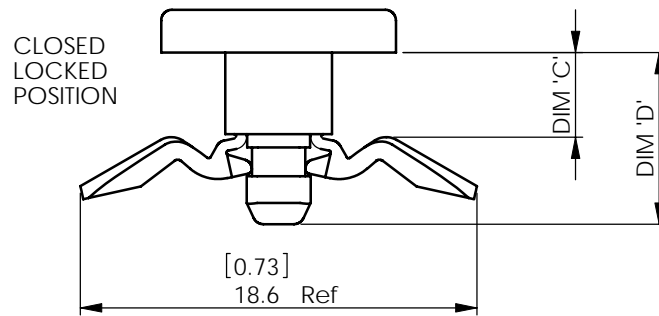
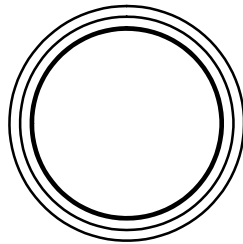
REV.	MODIFICATION.	DATE	DRN
01	Sales Release	26/05/09	TC



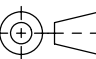
AS SUPPLIED - PRE-ASSEMBLED

NOTES!

- ALTERNATE UNITS FOR REFERENCE ONLY
- ALSO AVAILABLE IN BLACK - ADD 'BK' TO END PART No WHEN ORDERING



INFORMATION CONTAINED IN THIS DOCUMENT IS CONFIDENTIAL TO RICHCO INTERNATIONAL Co. Ltd. AND MAY NOT BE DISCLOSED OR REPRODUCED IN WHOLE OR PART WITHOUT THEIR WRITTEN CONSENT.

<b>RICHCO, INC.</b> WWW.RICHCO-INC.COM	ALL DIMENSIONS IN mm GENERAL TOLERANCES ±0.25 UNLESS OTHERWISE STATED 1 DECIMAL PLACE ± 2 DECIMAL PLACES ± ANGULAR ±1°	THIRD ANGLE 

Part No	'A' DIM	'B' DIM	'C' DIM Ref	'D' DIM	Total Holding Thickness	Mounting Hole Dia
RFL-1	3.0 [0.12]	8.1 [0.32]	2.7 [0.11]	7.4 [0.29]	2.85 - 3.85 [0.11 - 0.15]	5.5 +/- 0.1 [0.22 +/- 0.004]
RFL-2	3.7 [0.15]	8.8 [0.35]	3.3 [0.13]	8.1 [0.32]	3.55 - 4.55 [0.14 - 0.18]	5.5 +/- 0.1 [0.22 +/- 0.004]

MATERIAL: NYLON 6/6 UL94 V-2 (RMS-01)				COLOUR: NATURAL	
DESCRIPTION: LOCKING RIVET				PART No: See Table	
DRG No: 09-048		NPR No: FR08-0073 (2005-404)		SHEET SIZE A4	
DRN TC	DATE 08/01/09	CHKD TC	DATE 26/05/09	SCALE NTS	SHEET No. 1 OF 1