

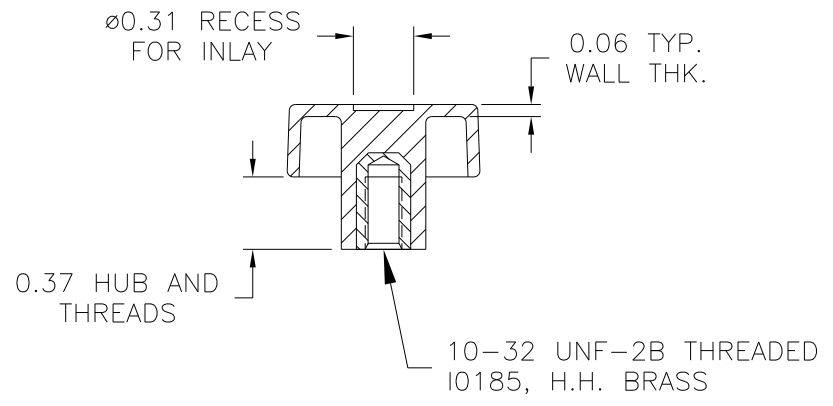
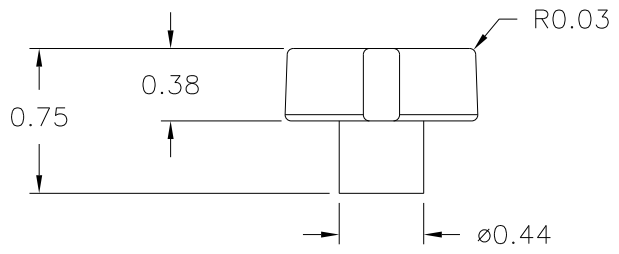
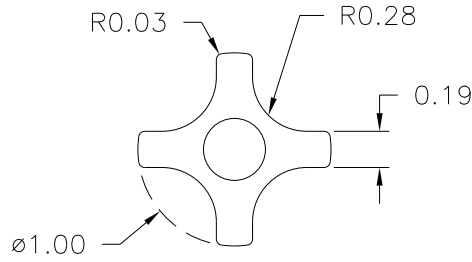
PART NAME: KNOB SCALE: 1:1 DATE: 7/11/90 DR. BY HD

THIS DRAWING IS THE PROPERTY OF DAVIES MOLDING COMPANY, IS SUBMITTED SOLELY AS A DESIGN OR ENGINEERING PROJECT. WE ACCEPT NO RESPONSIBILITY WHATSOEVER FOR THE PRACTICAL APPLICATION OF THE PIECES MADE TO THIS DESIGN.



DESIGNERS & MANUFACTURERS OF KNOBS, HANDLES, CASES & CUSTOM PLASTIC COMPONENTS

P/N	2800-D
M <sup>NO.</sup>	75
CAVITY	2800
CORE	2800
CORE PLUG	2800
SLEEVE	2800
PIN	2800-A
INSERT	I0185



(B) MATERIAL: NYLON 6/6 (ZY2), (ZY6)  
OR ENGINEERING APPROVED EQUIVALENT  
COLOR: BLACK

TOLERANCES: UNLESS OTHERWISE SPECIFIED	DO NOT SCALE DRAWING	B	ADDED ZY6	JAM	7/13/12
		A	ADDED MAT. CODE	JAM	12/28/06
DECIMALS: X.XXX ± .005 X.XX ± .015	MM: X.XX ± 0.15MM X.X ± 0.4MM	-	RE-DID REDRAW	TL	11/19/99
		-	CAD REDRAW	HD	11/19/92
FRACTIONS ± 1/64	ANG. ± 1°	CHANGES			