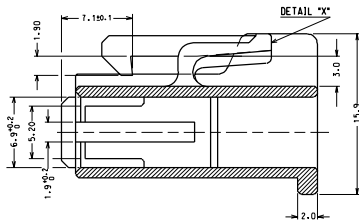
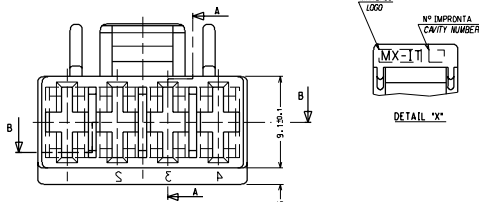
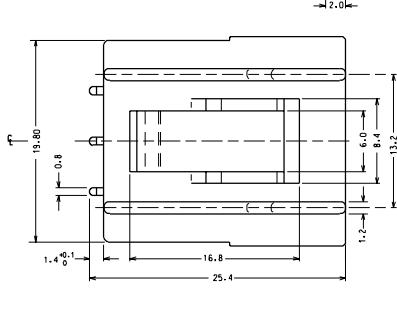


SEC. A-A



SEC. B-B

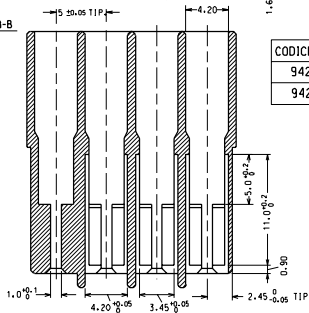
MARCHIO
LOGON° IMPRONTA
CAVITÀ NUMBER

DETAIL "X"

CODICE ART./P/N	COLORE/COLOR
94213-9004	BIANCO/WHITE
94213-9014	NERO/BLACK

MATERIALE: NYLON 6.6 V2
 MATERIAL: NYLON 6.6 V2

CONFEZIONE: BOX DA 5000 pz.
 PACKAGING: CARDBOARD BOXES
 5000 pcs/box



SPO= 5000 pz.

Descr. Std.: FEMM HOUSING W/LATCH 4 CKT

REV	DESCRIPTION	QUALITY SYMBOLS		GENERAL TOLERANCES: (UNLESS SPECIFIED)	SCALE DESIGN UNITS		FIRST ANGLE PROJECTION	DIMENSIONS:		SHT	REV	
		mm	INCH		mm	INCH		mm	INCH			
A2	EC NO. Z2001-0099 DRAWN: GOTTARDO 01-05-92 CHK'D: M. PREVIATO 07-03-92 APPROV'D: ZULIN 07-03-92	MAJOR M	SIGNIF. S	CRITICAL C	4 PLACES ±0.1	3 PLACES ±0.15	2 PLACES ±0.2	1 PLACE ±0.25	ANGULARS ± 2°	SCALE: 4:1 DESIGN UNITS: mm	mm ONLY	REVISE ON CAD ONLY
					DRAWN BY & DATE F. GOTTARDO 05-10-92	CHECKED BY & DATE M. PREVIATO 05-10-92	TITLE: HOUSING A 4 VIE PER FEMMINA HNF (CAIMANO) 4 CKT HOUSING FOR HNF ICAN/MANTEPERNAL	MOLEX INCORPORATED		MATERIAL NO. VSD110080 SPO 1000	DRAWING NO. SD-94213-004	SHEET NO. 1/1
					DRAFT WHERE APPLICABLE MUST REMAIN WITHIN DIMENSIONS		THIS DRAWING CONTAINS INFORMATION THAT IS PROPRIETARY TO MOLEX INCORPORATED AND SHOULD NOT BE USED WITHOUT WRITTEN PERMISSION.					