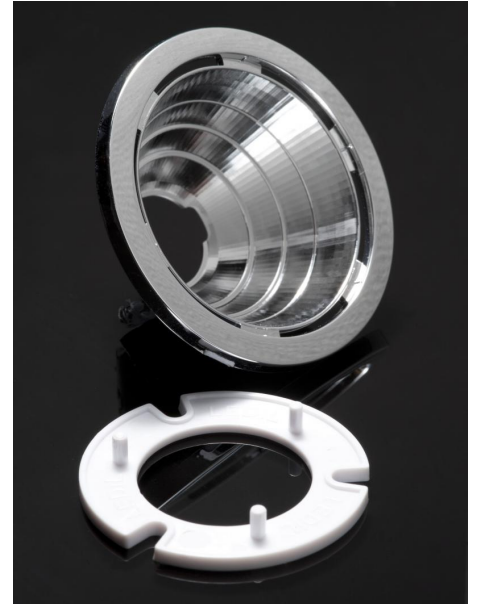


DETAILS

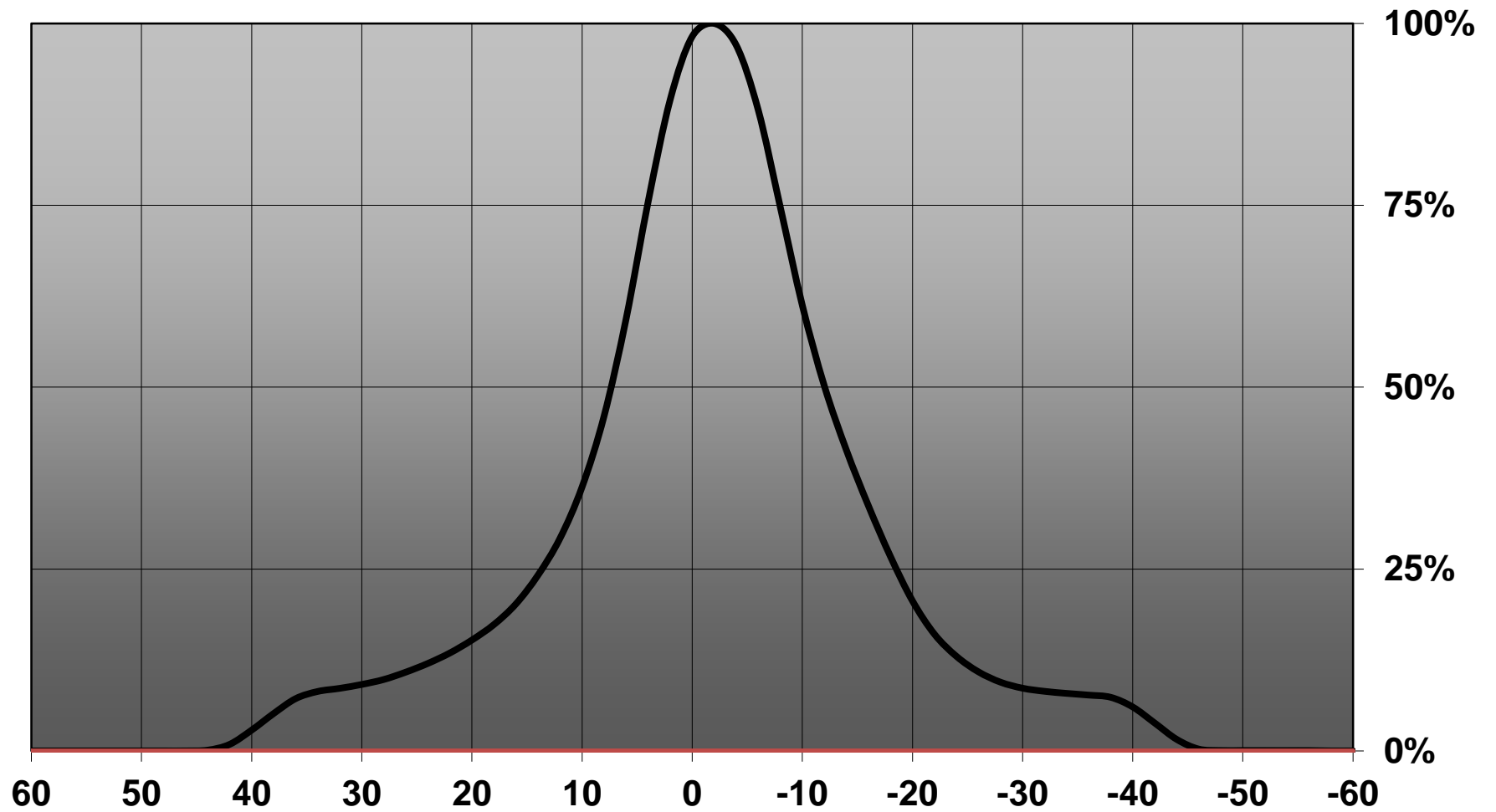
Product Number	CN13765_MIRELLA-50-M-PF
Family	Mirella
Type	RefPack
Color	metal
Diameter	49,9 mm
Height	25,1 mm
Style	round
Optic Material	
Holder Material	
Fastening	
Status	production ready
ROHS Compliant	Yes
Date Updated	1/11/2016



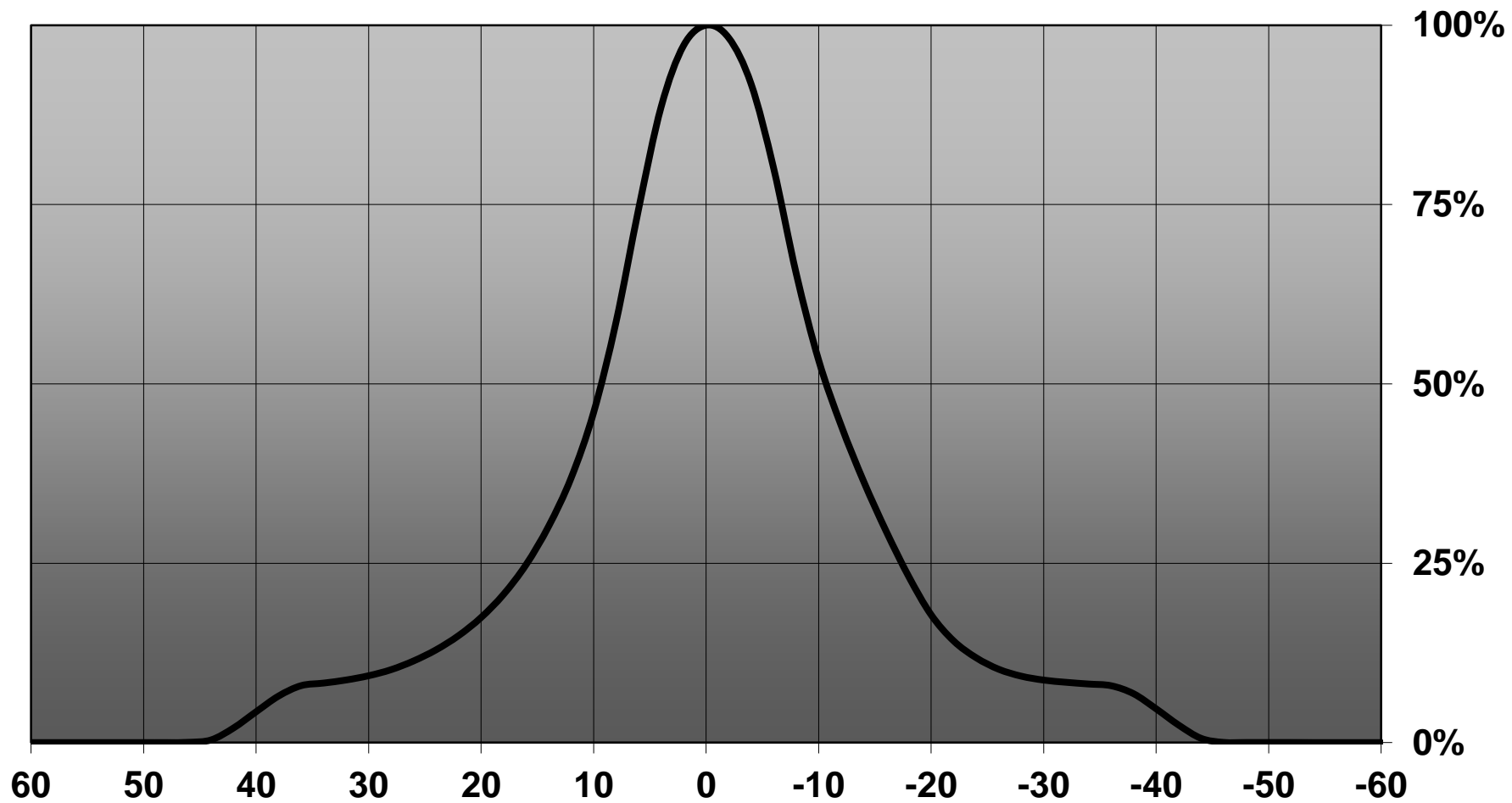
OPTICAL PROPERTIES

LED	Viewing	Light	Effi-		Connector
	Angle	Beam	ciency	cd/lm	
V6 Gen6	21 deg	Medium	88 %	3.300	-
CXA/B 15xx	27 deg	Medium	91 %	2.600	-
CXA/B 13xx	20 deg	Medium	85 %	3.700	-
LUXEON K4	sim: 30	Medium	sim: 88 %	sim: 2.100	-
LUXEON CoB 1202s	20 deg	Medium	88 %	3.600	LEDiL: LEDiL
LUXEON CoB Compact	sim: 20	Medium	sim: 88 %	sim: 3.600	LEDiL: LEDiL
Soleriq P6	22 deg	Medium	87 %	3.500	-
Soleriq P9	28 deg	Medium	87 %	2.500	-
STARK SLE PURE G3 LES10	26 deg	Medium	86 %	2.700	-

Relative intensity of CN13765_MIRELLA-50-M-PF_(CXA1304)

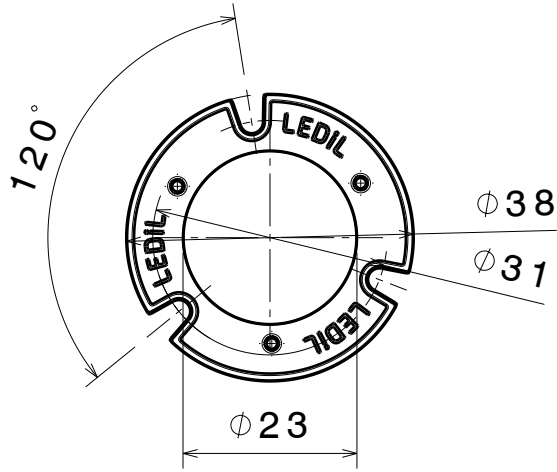


Relative intensity of CN13765_MIRELLA-50-M-PF_(Luxeon_Cob_mini)

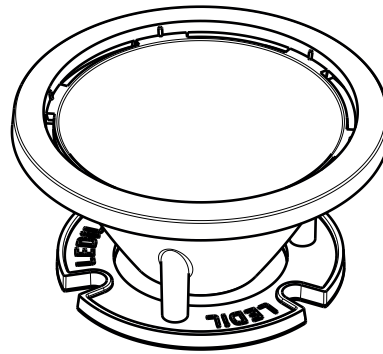


— 1: 0-180

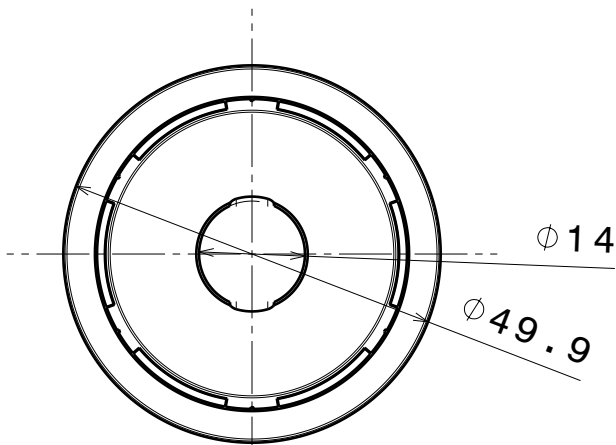
NOTE: It is recommended to use glue like DELO-PUR 9895 for pin fastening.
[http://www.delo.de/fileadmin/datasheet/DELO-PUR_9895_\(TIDB-GB\).pdf](http://www.delo.de/fileadmin/datasheet/DELO-PUR_9895_(TIDB-GB).pdf)



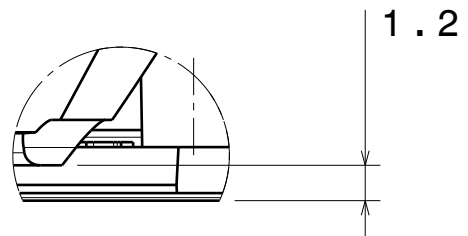
Front view



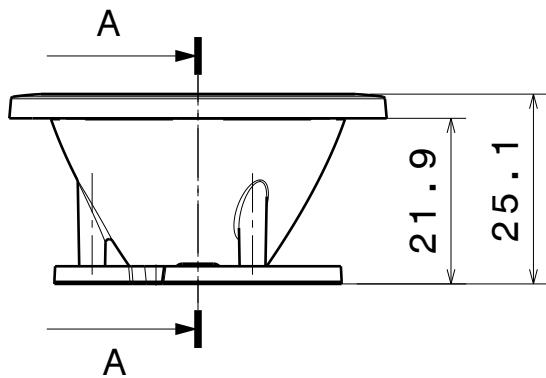
Isometric view



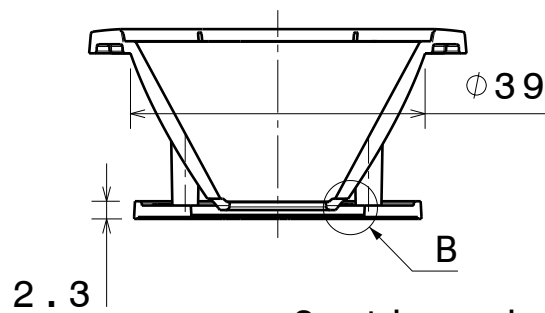
Top view



Detail B



Front view



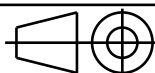
Section view A-A

Tolerances if not otherwise shown
 According to DIN ISO 2768-1
 Linear measures:
 Up to 30mm class M, otherwise class C.
 According to DIN ISO 2768-2
 Form and position: class L



Ledil Oy
 Salorankatu 10
 FIN 24240 SALO
 Finland

THIRD ANGLE PROJECTION:



DRAWING TITLE

MIRELLA-PF CXA15 Datasheet

This drawing is the property of LEDiL Oy. It may not be reproduced, copied or communicated without a written agreement with LEDiL Oy.

SIZE PART NUMBER

A4

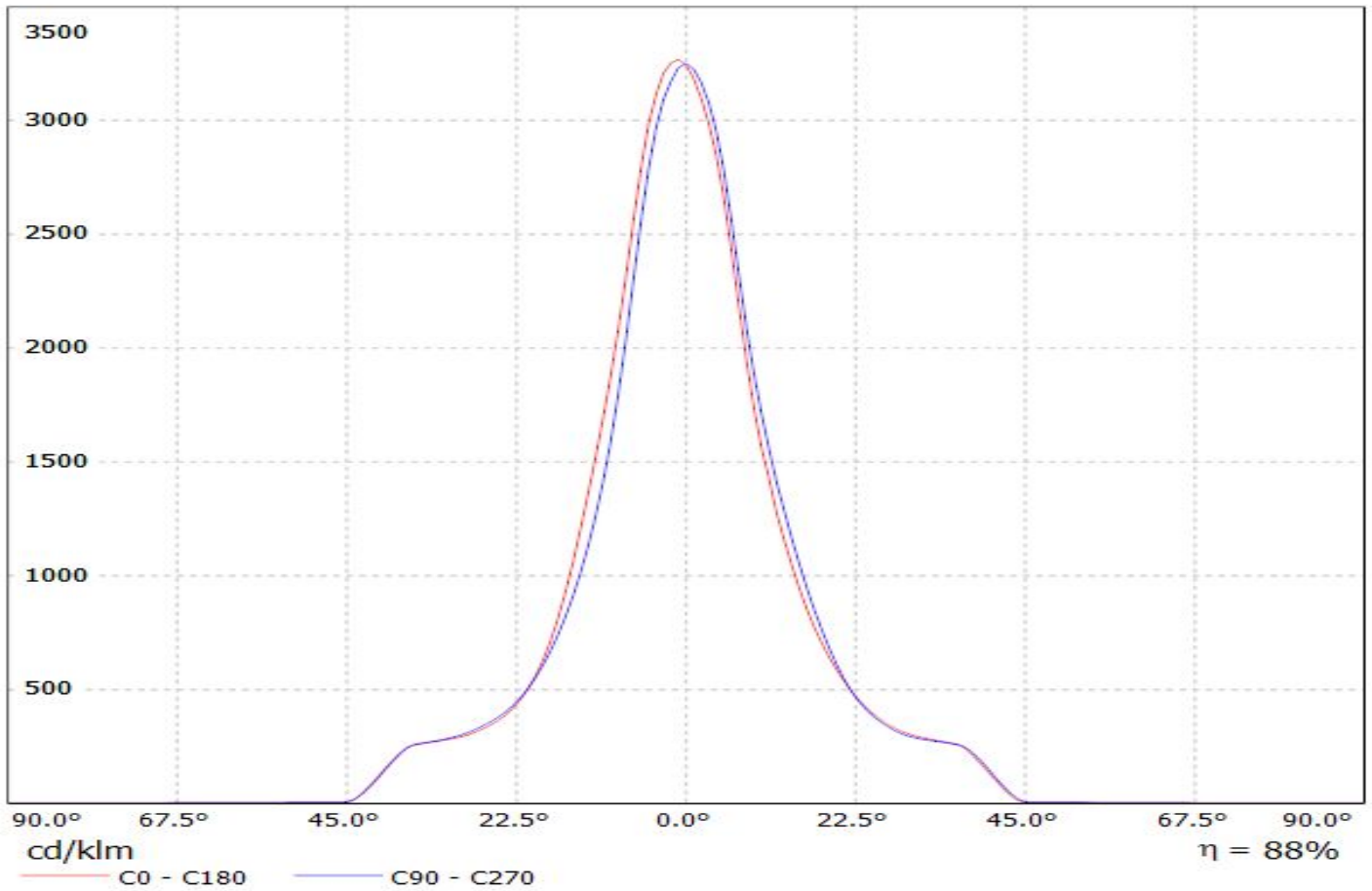
-

SCALE 1:1 WEIGHT

-

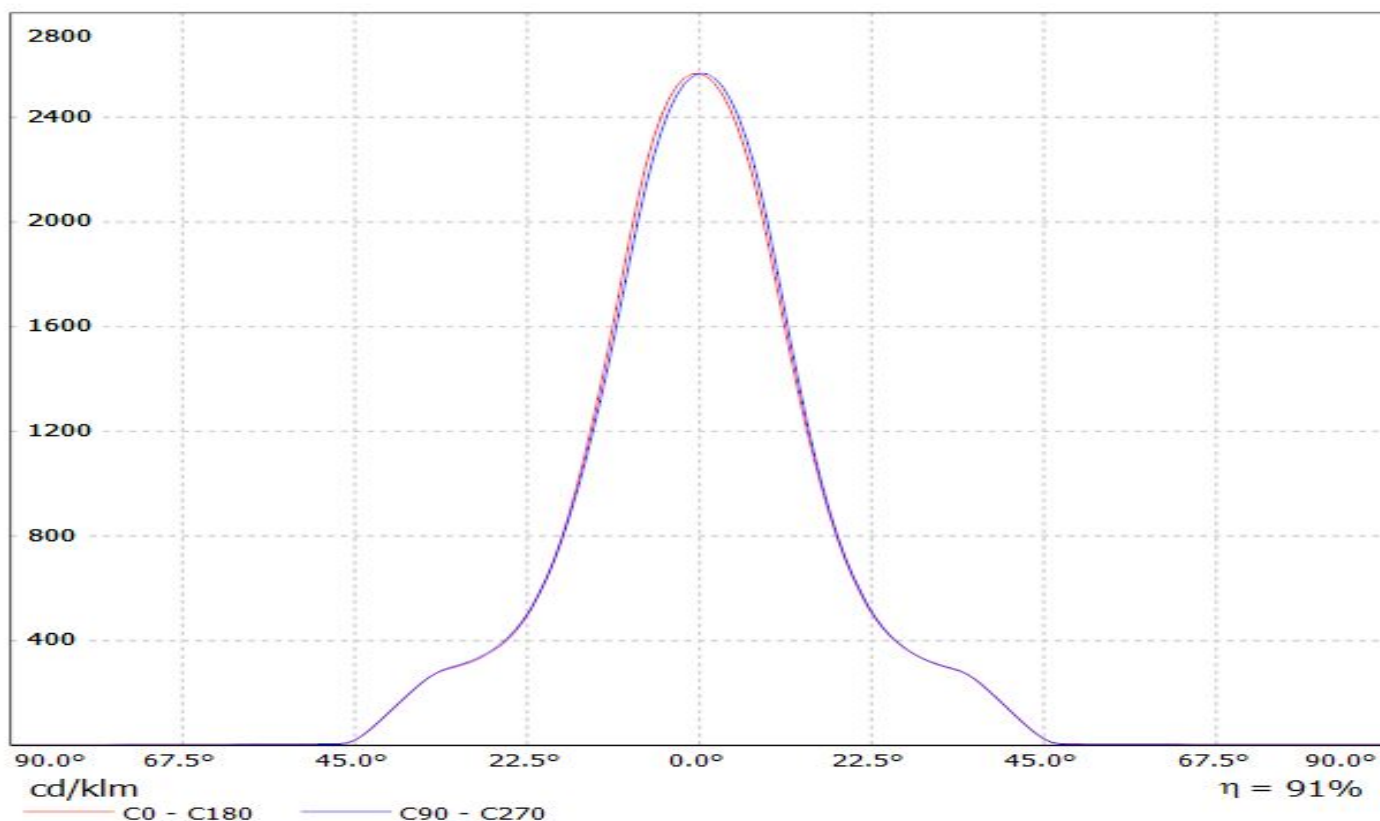
SHEET 1/1

Luminaire: LEDiL Oy CN13765_MIRELLA-50-M-PF_(V6) Eff.87.8%
Lamps: 1 x BRIDGELUX_V6_488.215lm@250mA_P=5.22041W_I=249.9mA



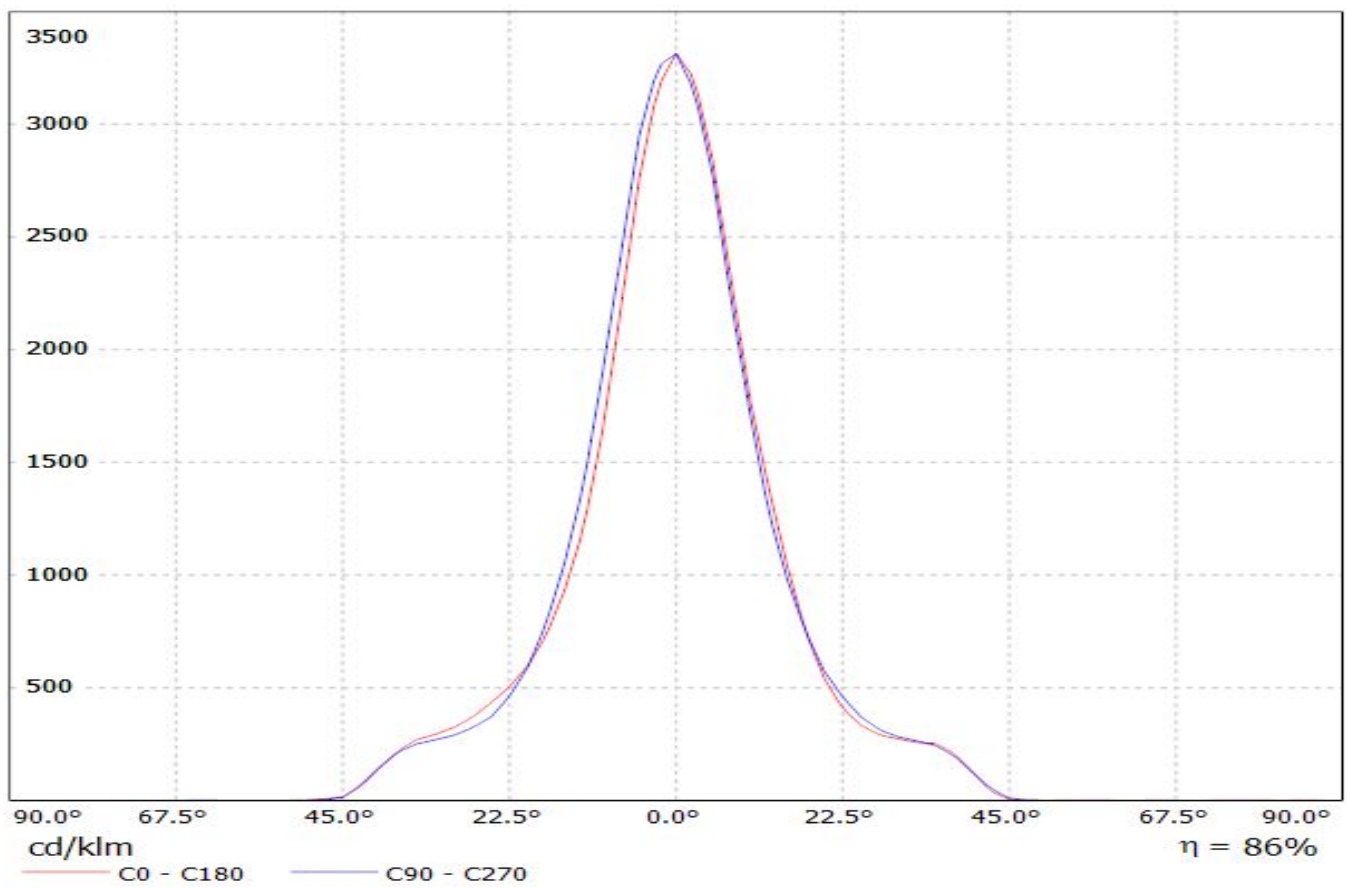
LEDiL Oy CN13765_MIRELLA-50-M-PF_(CXA1507) Eff.90.8% / LDC (Linear)

Luminaire: LEDiL Oy CN13765_MIRELLA-50-M-PF_(CXA1507) Eff.90.8%
Lamps: 1 x CREE_CXA1507 (CXA1507-30F-F2-N0A-00000) 238.378lm@50mA CCT=3000K P=1.8506W I=54.5mA

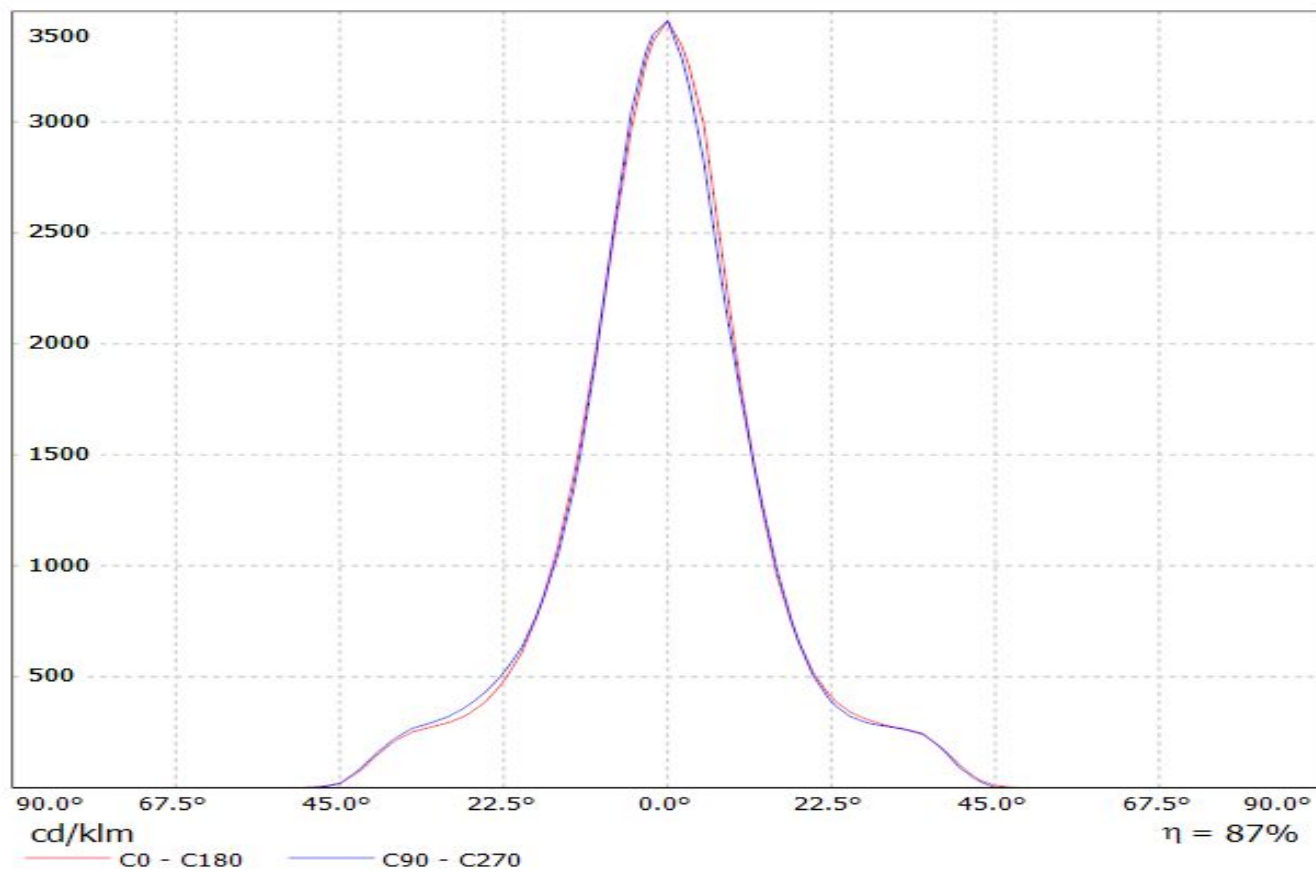


Luminaire: LEDil Oy CN13765_MIRELLA-50-M-PF_(CXA1304)

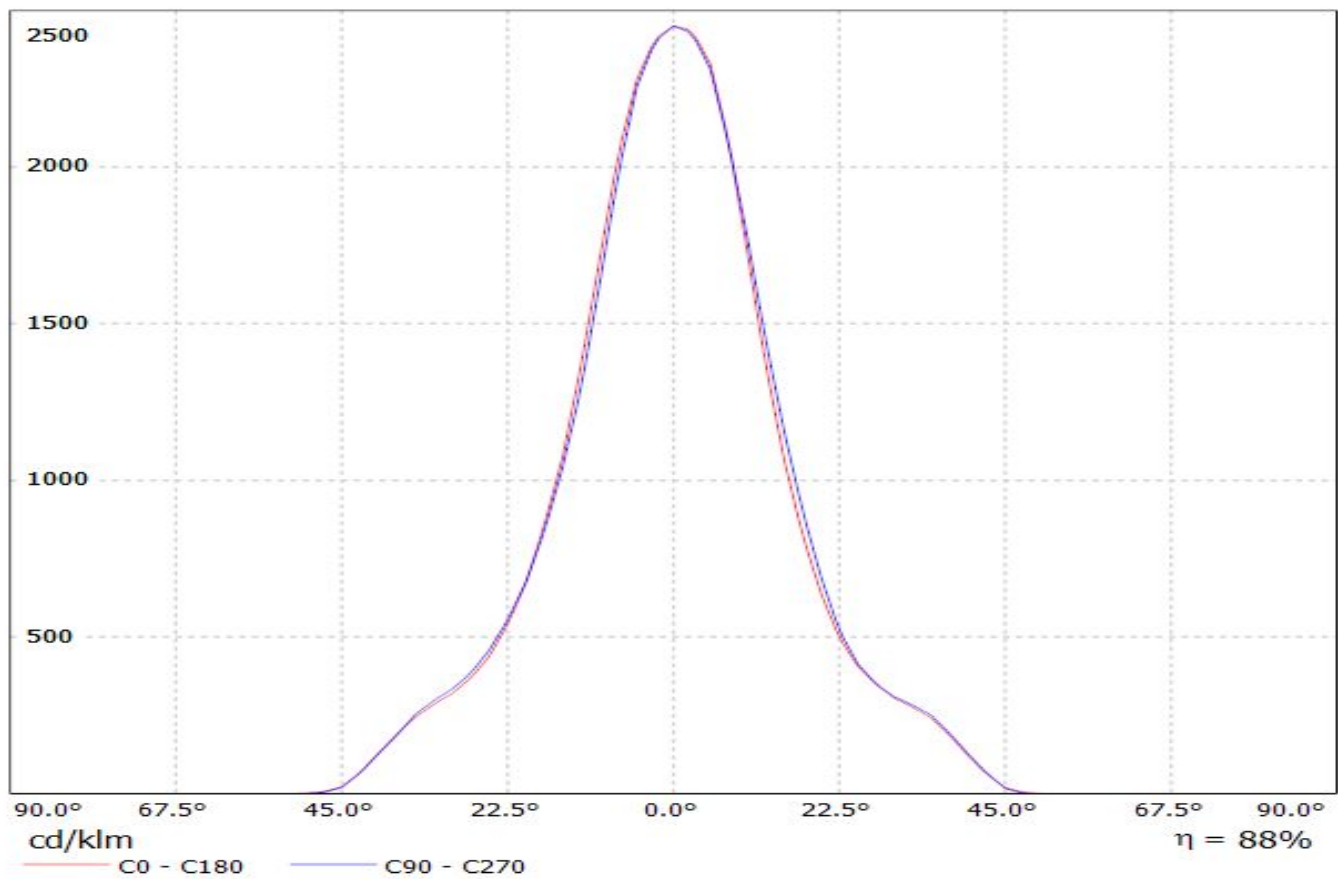
Lamps: 1 x CREE CXA1304 (CXA1304-30F-B2-C0H) 280lm@250mA U: 8.73V U: 2.18W



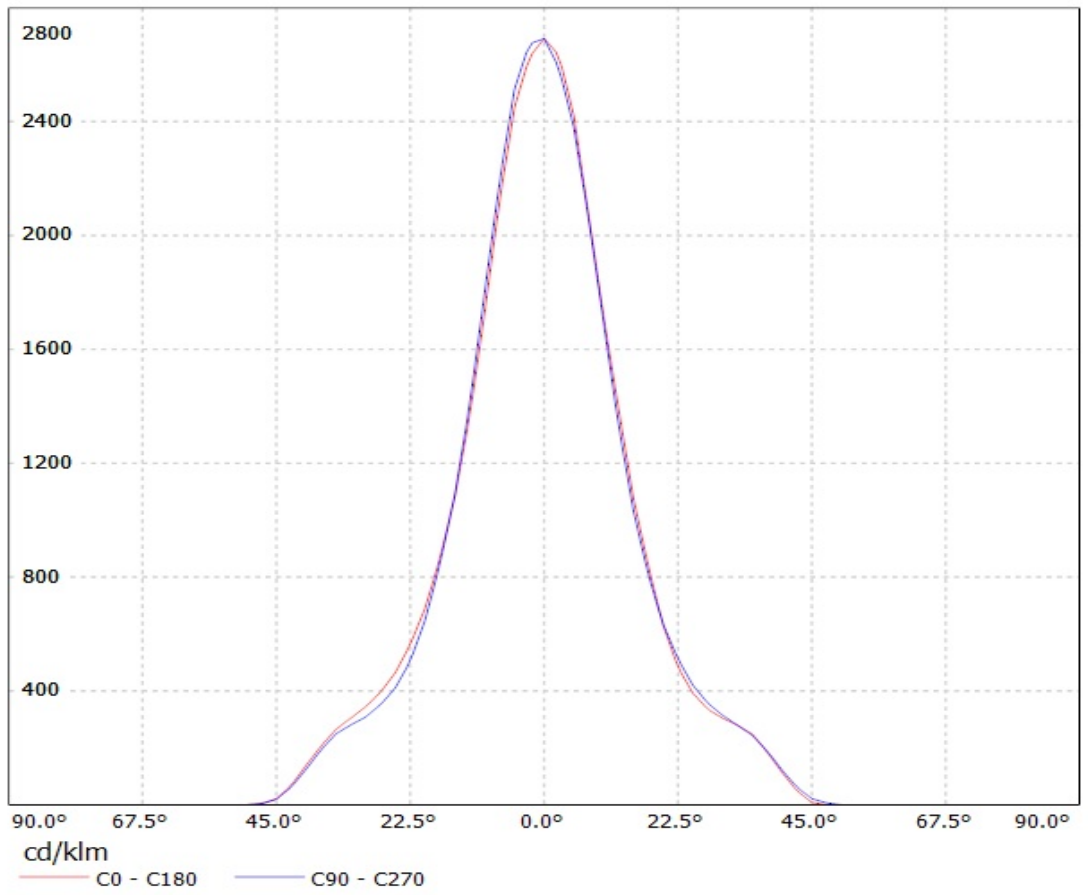
Luminaire: LEDil Oy CN13765_MIRELLA-50-M-PF_(Sol_P6)
Lamps: 1 x Osram Soleriq P6 GW MAEGB1.EM CCT:4000K 290lm@100mA



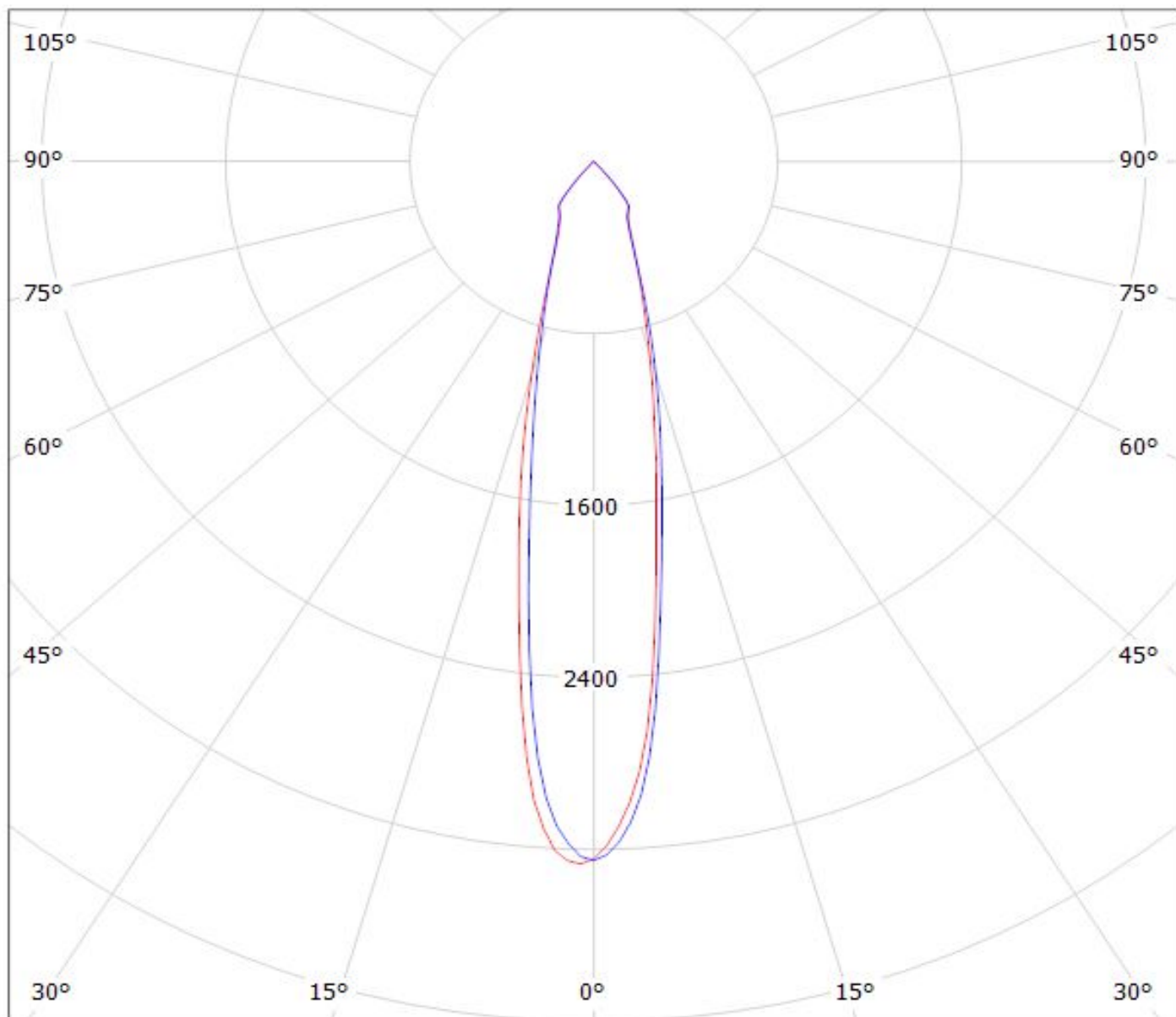
Luminaire: LEDiL CN13765_MIRELLA-50-M-PF_(Sol_P9)
Lamps: 1 x Osram Soleriq P9 xxlm@100mA GWMAFJB1.EM CCT:4000K



Luminaire: LEDil Oy CN13765_MIRELLA-50-M-PF_(STARK_SLE_G3_LES10) Efficiency=86%
Lamps: 1 x Tridonic Stark SLE G3 LES10 (STARK-SLE-PURE-G3-10-1000-830-CLA) 453lm @ 250mA CCT=3000K P=4.3W I=250mA



Luminaire: LEDiL Oy CN13765_MIRELLA-50-M-PF_(V6) Eff.87.8%
Lamps: 1 x BRIDGELUX_V6_488.215lm@250mA_P=5.22041W_I=249.9mA



cd/klm

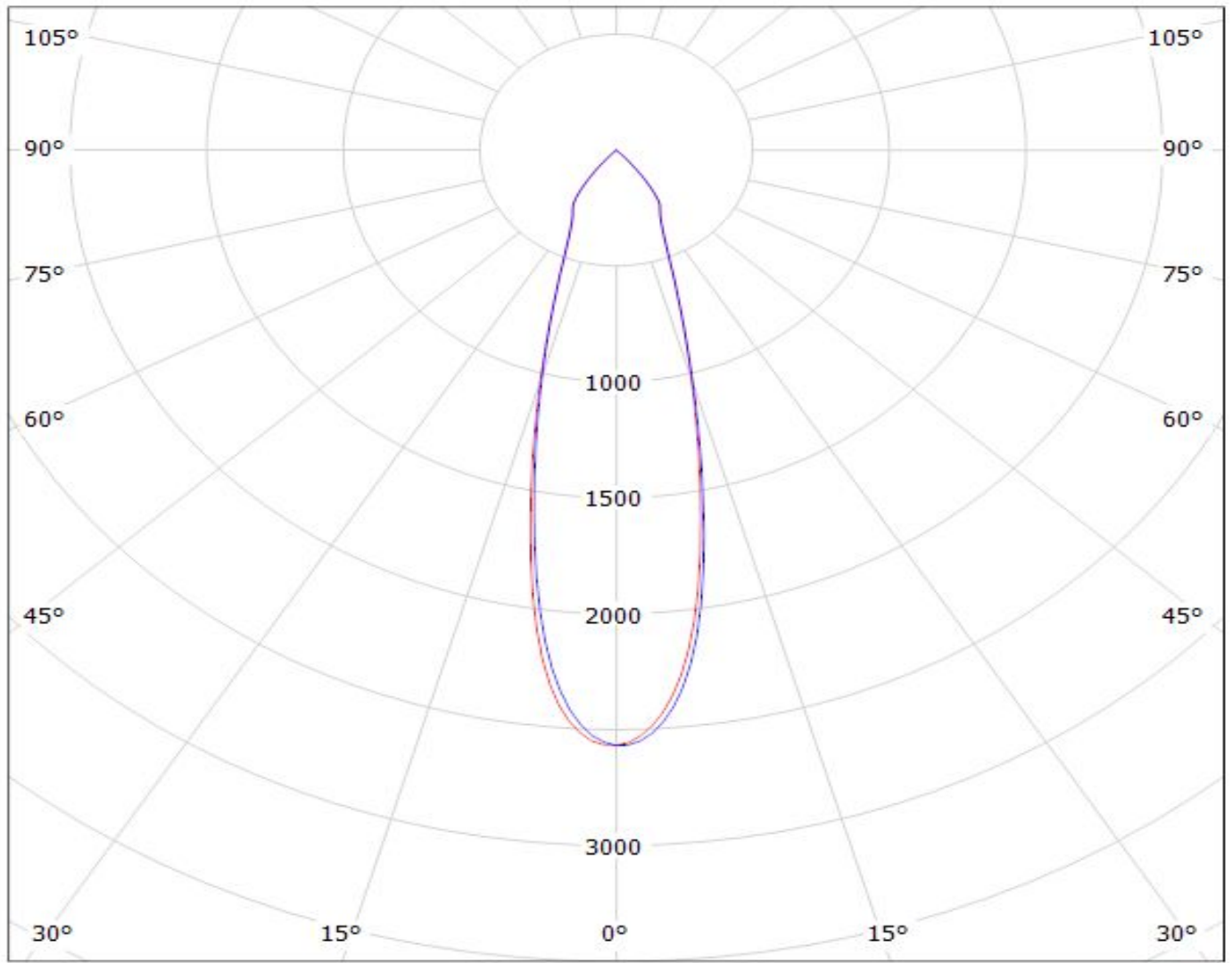
— C0 - C180 — C90 - C270

$\eta = 88\%$

LEDiL Oy CN13765_MIRELLA-50-M-PF_(CXA1507) Eff.90.8% / LDC (Polar)

Luminaire: LEDiL Oy CN13765_MIRELLA-50-M-PF_(CXA1507) Eff.90.8%

Lamps: 1 x CREE_CXA1507 (CXA1507-30F-F2-N0A-00000) 238.378lm@50mA CCT=3000K P=1.8506W I=54.5mA



cd/klm

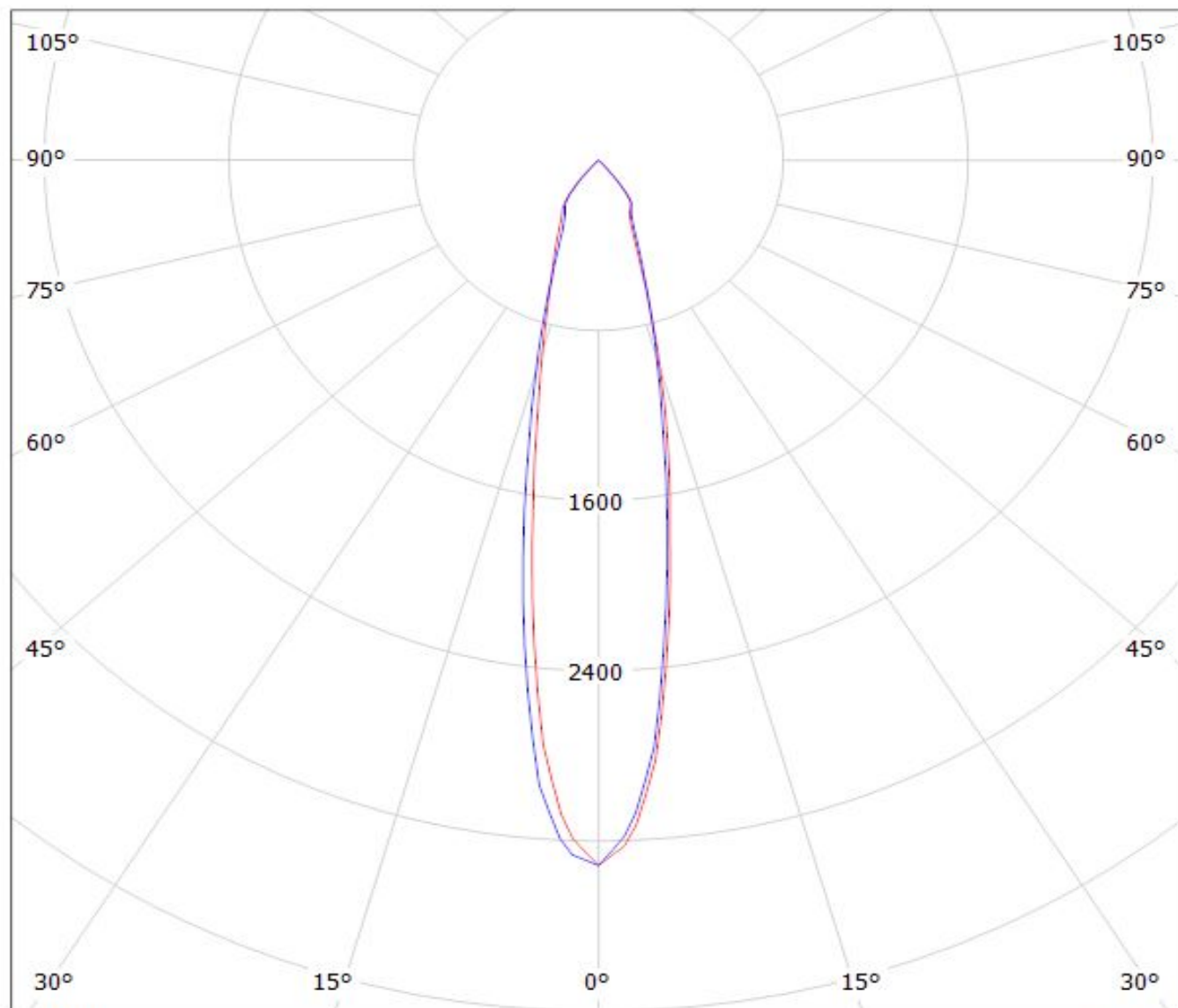
— C0 - C180

— C90 - C270

$\eta = 91\%$

Luminaire: LEDil Oy CN13765_MIRELLA-50-M-PF_(CXA1304)

Lamps: 1 x CREE CXA1304 (CXA1304-30F-B2-C0H) 280lm@250mA U: 8.73V U: 2.18W



cd/klm

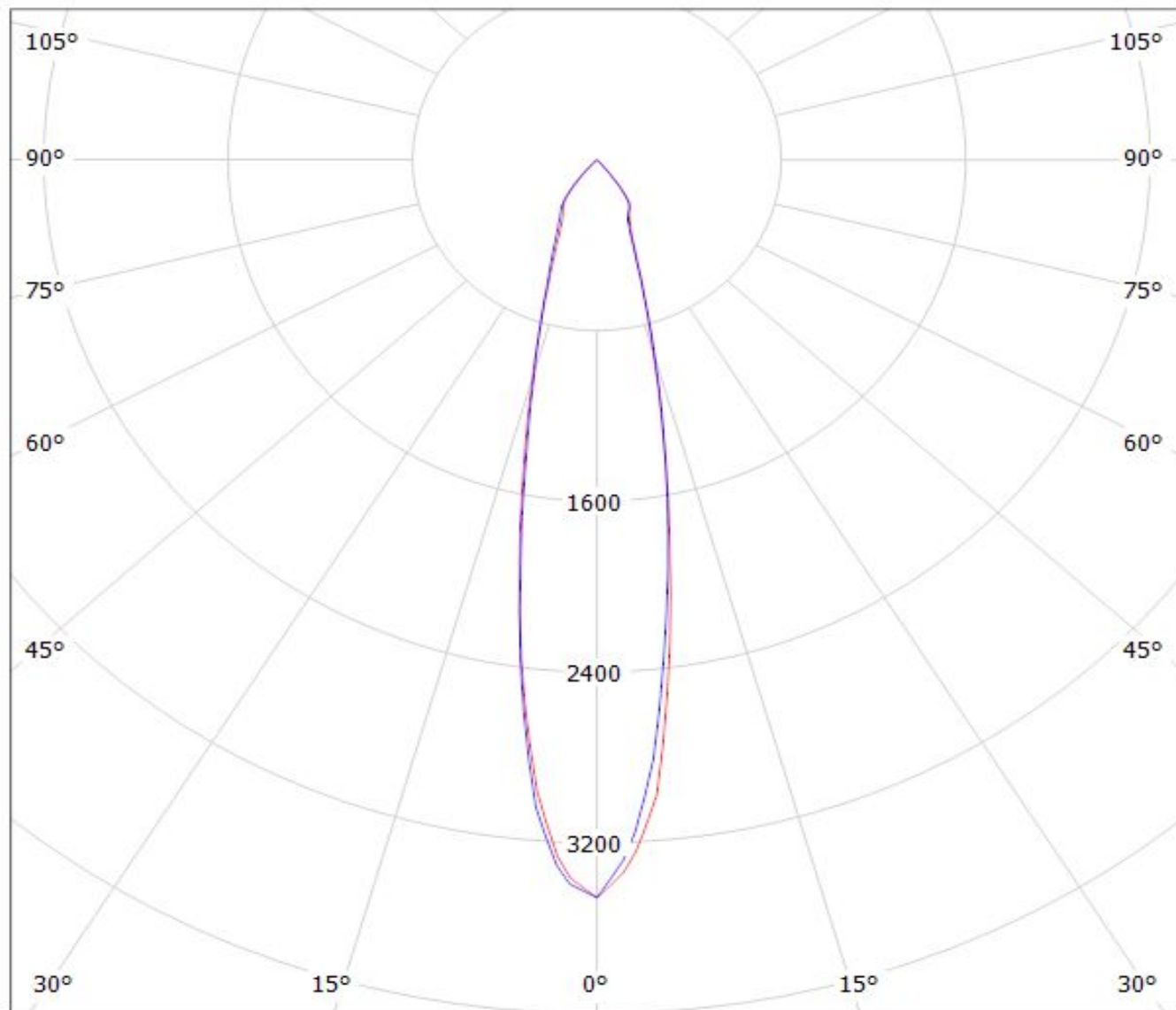
— C0 - C180

— C90 - C270

$\eta = 86\%$

Luminaire: LEDil Oy CN13765_MIRELLA-50-M-PF_(Sol_P6)

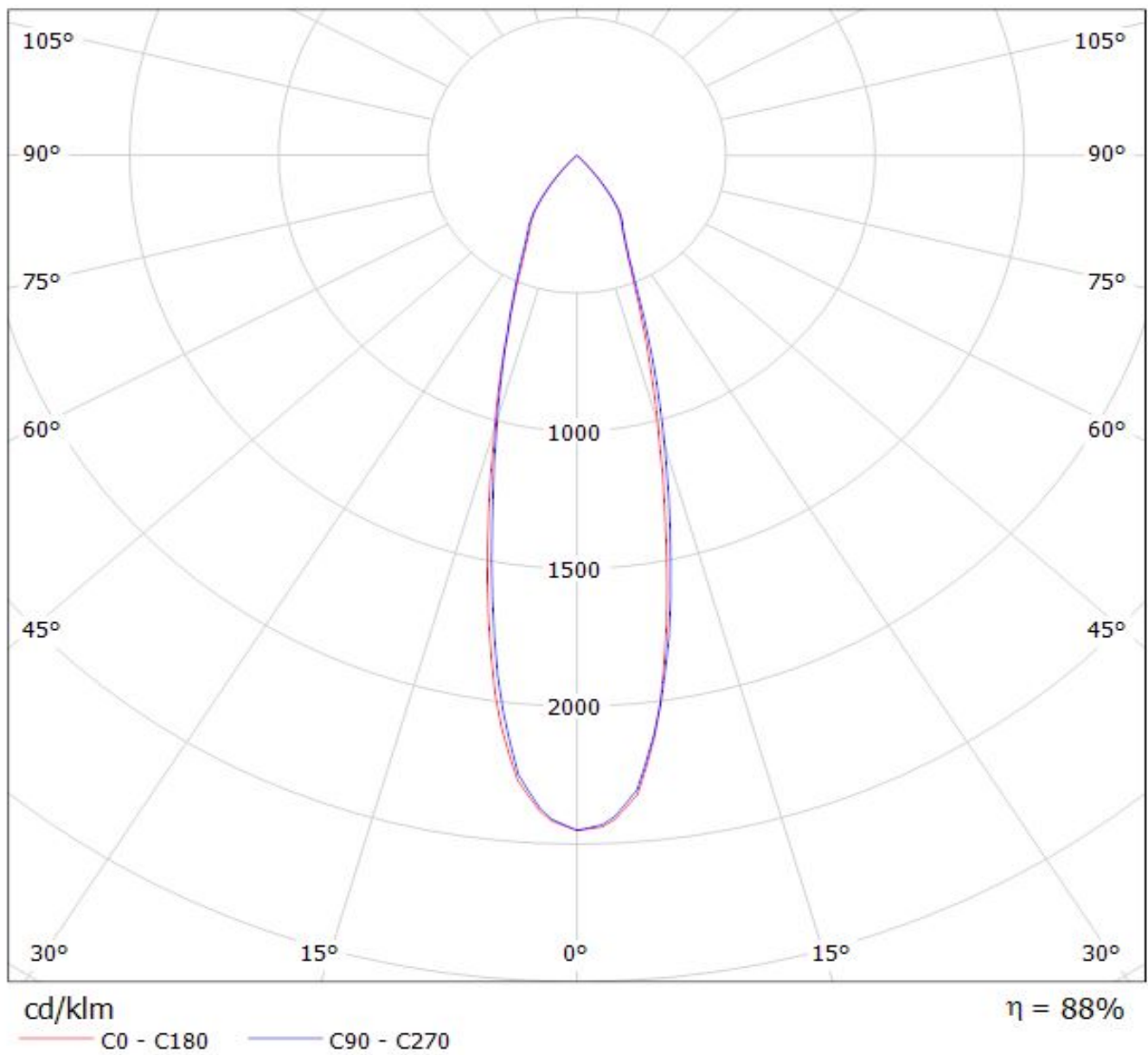
Lamps: 1 x Osram Soleriq P6 GW MAEGB1.EM CCT:4000K 290lm@100mA



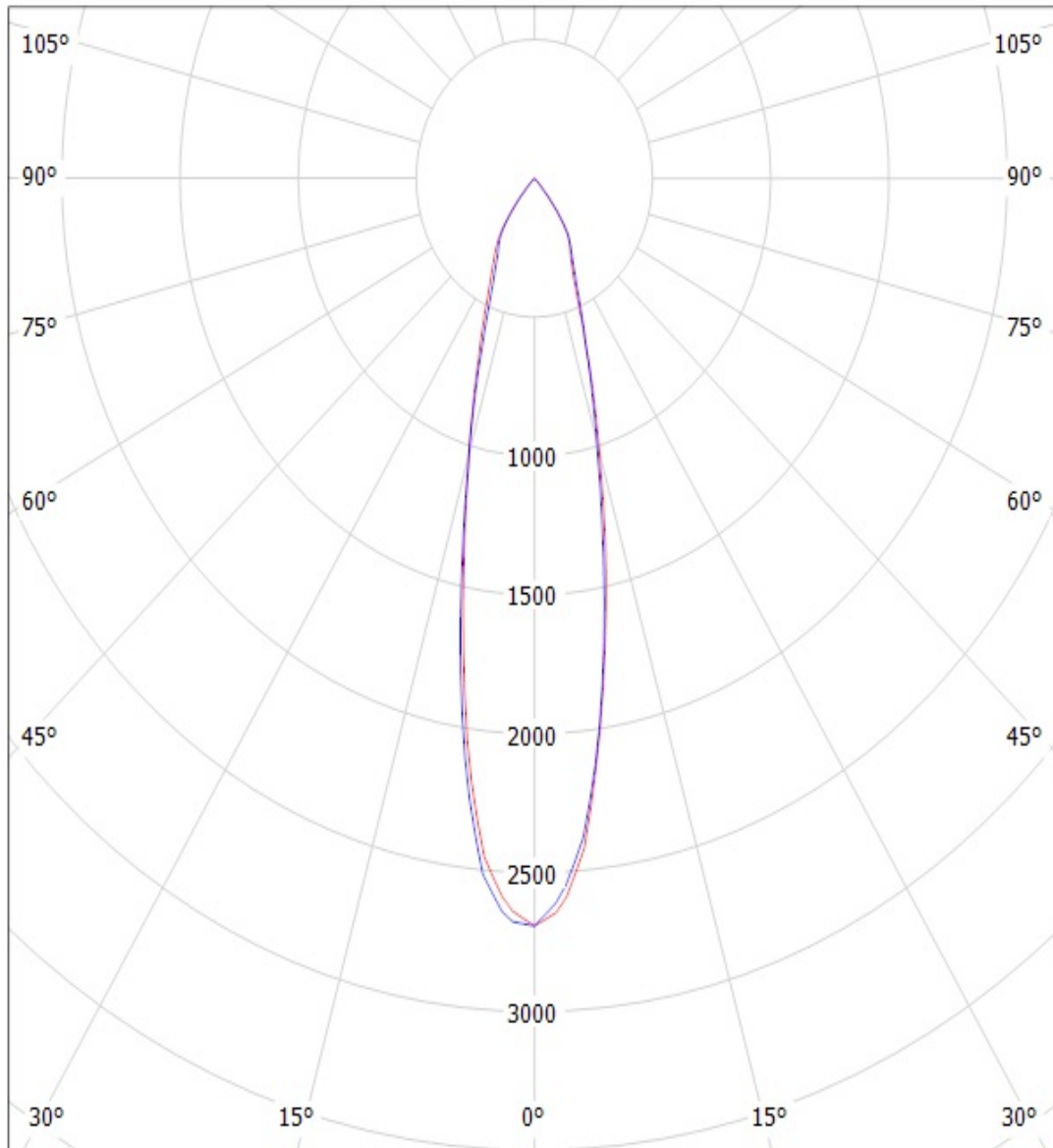
$\eta = 87\%$

cd/klm
— C0 - C180 — C90 - C270

Luminaire: LEDiL CN13765_MIRELLA-50-M-PF_(Sol_P9)
Lamps: 1 x Osram Soleriq P9 xxlm@100mA GWMAFJB1.EM CCT:4000K



Luminaire: LEDil Oy CN13765_MIRELLA-50-M-PF_(STARK_SLE_G3_LES10) Efficiency=86%
Lamps: 1 x Tridonic Stark SLE G3 LES10 (STARK-SLE-PURE-G3-10-1000-830-CLA) 453lm @ 250mA CCT=3000K P=4.3W I=250mA



cd/klm

— C0 - C180

— C90 - C270

NOTE: The typical divergence will be changed by different color, chip size and chip position tolerance. The typical total divergence is the full angle measured where the luminous intensity is half of the peak value.

GENERAL INFORMATION

- Product series especially designed & optimized for series of LEDs.
- Special care taken to make light distribution as uniform as possible.

Note! Due to use of high power COB's with this product, special attention to proper thermal design is highly recommended. LEDiL has no liability for direct, indirect or consecutive damages arising from the LEDiL products being used outside of the recommended temperature range.