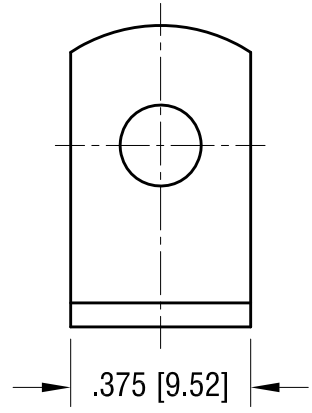
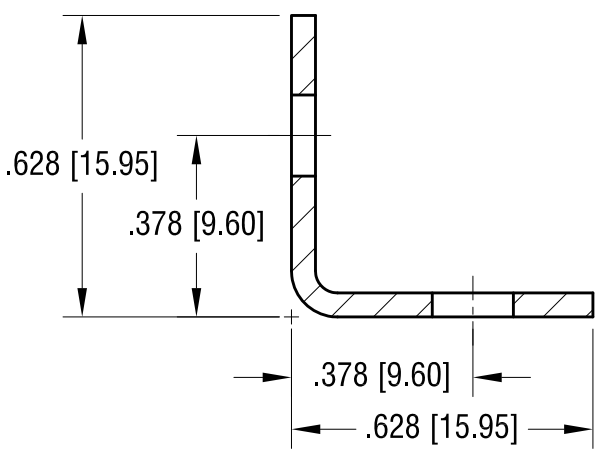
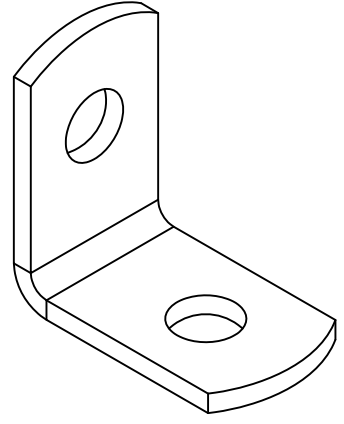
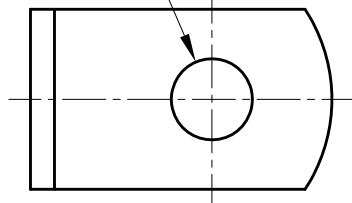


THIS DOCUMENT IS THE PROPERTY OF
KEYSTONE ELECTRONICS CORP. AND
SHALL NOT BE REPRODUCED, DISTRIBUTED
OR USED AS A BASIS FOR MANUFACTURE
WITHOUT PRIOR WRITTEN PERMISSION
FROM KEYSTONE ELECTRONICS CORP.

$\pm .005$ [± 0.13]
 $\varnothing .169$ [$\varnothing 4.29$] DIA. HOLE
(2) PLS



9.22.09	CHANGE AS PER ECN 09-133	B
8.20.98	CHANGE AS PER ECR 98-044	A
DATE	DESCRIPTION	REV.

KEYSTONE ELECTRONICS CORP.			
www.keyelco.com • ASTORIA, N.Y. 11105-2017 • Tel (718) 956-8900			
PART NAME		BRACKET	
MATERIAL		.050 [1.27] TH'K BRASS	
FINISH		DRN BY	DATE
MATTE TIN PLATE		BOONE	3.2.82
		APP'D	SCALE
		LN	2.5X
TOLERANCES	INCH [MM]	CODE	DWG NO.
DECIMAL	$\pm .010$ [± 0.25]	C	618
ANGULAR	$\pm 1^\circ$		
UNLESS OTHERWISE SPECIFIED			