

4

3

2

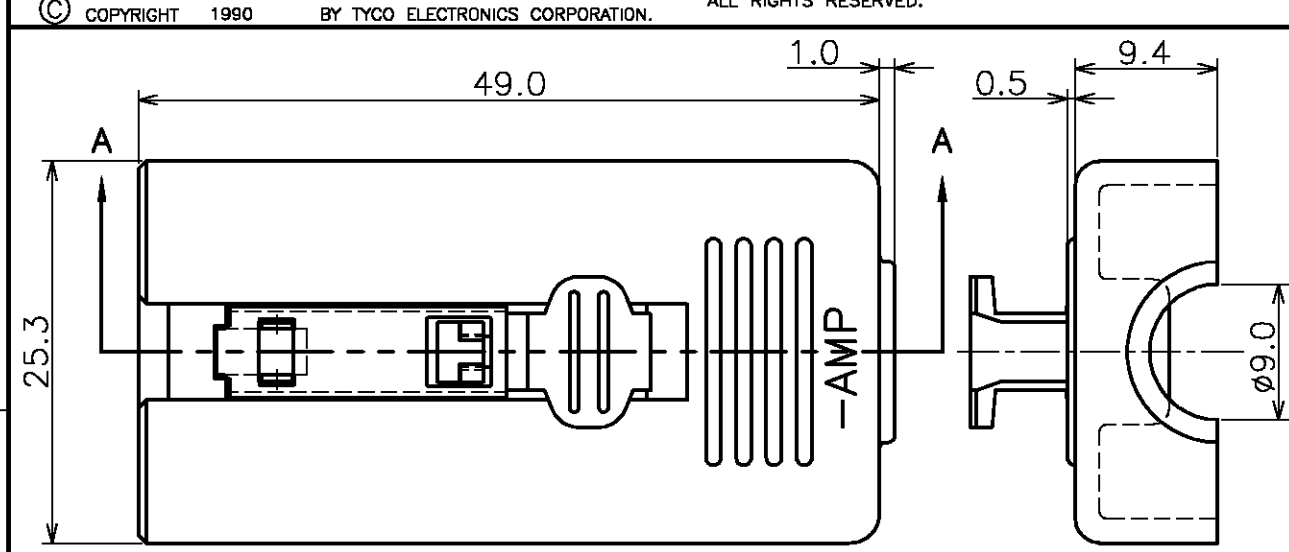
1

THIS DRAWING IS UNPUBLISHED. RELEASED FOR PUBLICATION MY 1990.

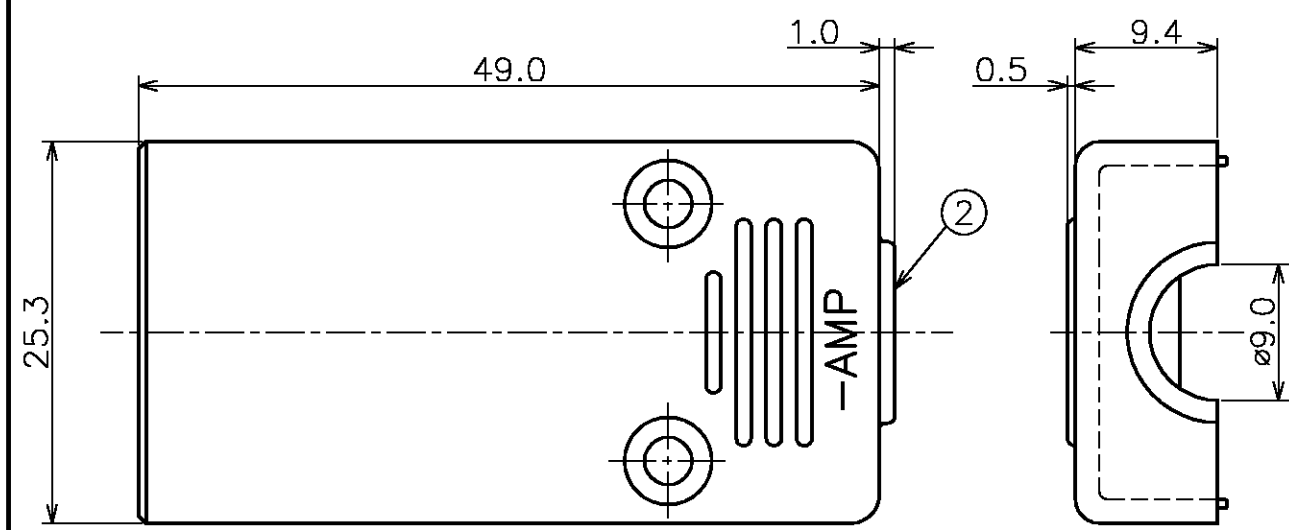
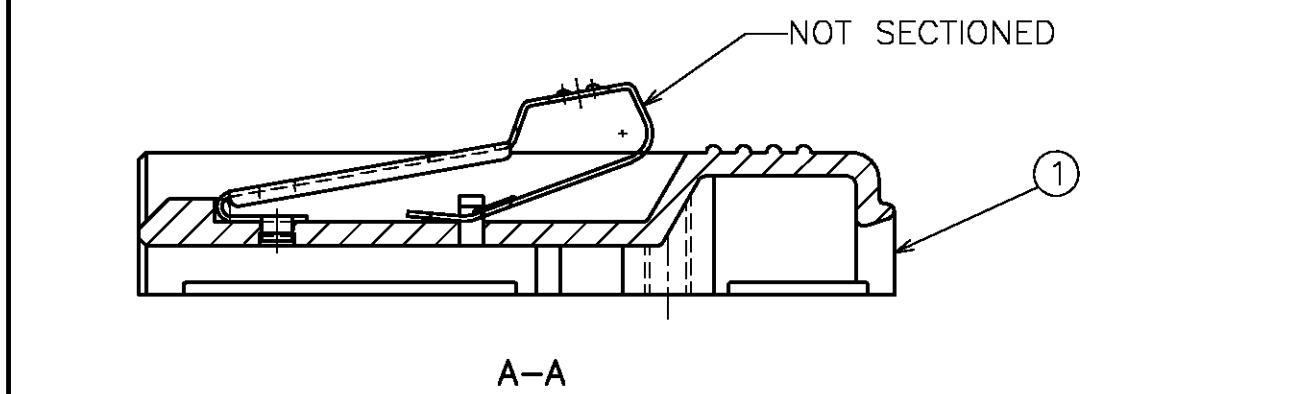
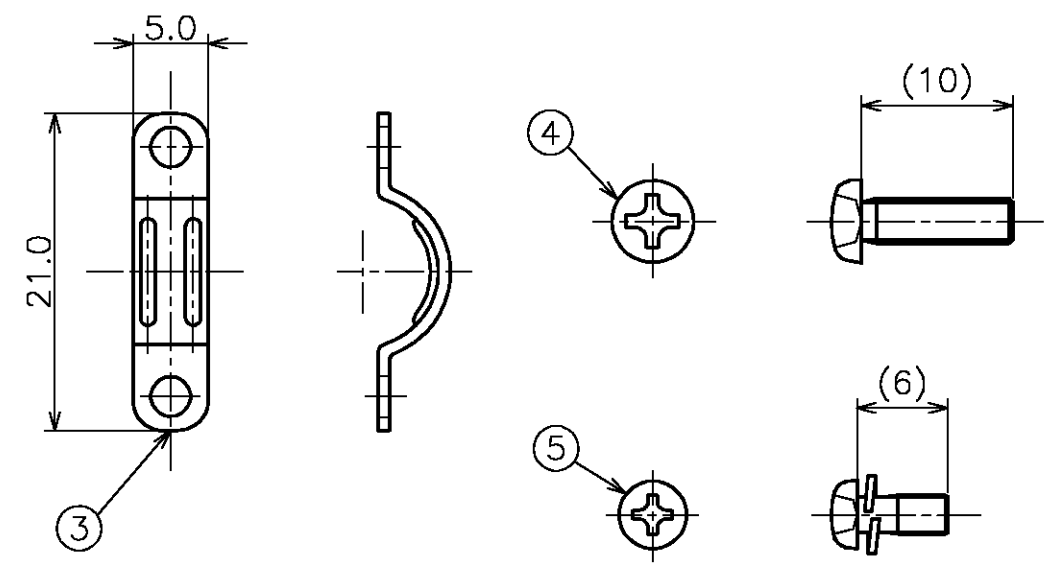
LOC J DIST

REVISIONS  
変更

| P | LTR | DESCRIPTION          | DATE    | DWN | APVD |
|---|-----|----------------------|---------|-----|------|
|   |     |                      |         |     |      |
| D |     | REVISED FJB0-0314-03 | 22APR03 | H.H | T.K  |



-1 ; AS SHOWN  
本図



|     |                                      |  |           |             |
|-----|--------------------------------------|--|-----------|-------------|
| 2   | STEEL, NICKEL PLATED<br>スチール、ニッケルめっき | M2.6 SCREW WITH SPRING WASHER FOR CABLE CLAMP.<br>M2.6ねじ スプリング付き(ケーブル クランプ用) | 175825-1  | (5)         |
| 2   | STEEL, NICKEL PLATED<br>スチール、ニッケルめっき | M3 SCREW(FOR COVER)<br>M3ねじ(カバー用)  | 175824-1  | (4)         |
| 1   | STEEL, NICKEL PLATED<br>スチール、ニッケルめっき | CLAMP<br>クランプ  | 176832-1  | (3)         |
| 1   | ZINC ALLOY, Ni PLATED<br>亜鉛、ニッケルめっき  | COVER "B" 12POS.<br>カバー" B" 12極  | 176829-1  | (2)         |
| 1   | ZINC ALLOY, Ni PLATED<br>亜鉛、ニッケルめっき  | COVER "A" WITH LOCK LEVER 12POS.<br>カバー" A" ロックレバー付き 12極                     | 176880-1  | (1)         |
| QTY | 材料及び仕上<br>MATERIAL & FINISH          | 名称<br>NAME   | 型番<br>P/N | ITEM<br>NO. |

1 APPLICABLE SPECIFICATIONS  
PRODUCT SPEC. : 108-5315  
APPLICATION SPEC. : 114-5147  
2 INSTRUCTION SHEET : 411-5507

△ GENERAL TOLERANCE  
0 < \* ≤ 10 : ±0.2  
10 < \* ≤ 30 : ±0.25  
30 < \* ≤ 100 : ±0.3  
ANGLES : ±3'

1 適用規格  
製品規格 : 108-5315  
取付適用規格 : 114-5147  
2 取扱説明書 : 411-5507

△ 一般公差  
0 < \* ≤ 10 : ±0.2  
10 < \* ≤ 30 : ±0.25  
30 < \* ≤ 100 : ±0.3  
ANGLES : ±3'

THIS DRAWING IS A CONTROLLED DOCUMENT.

DWN T. FUTATSUGI 08MAY90  
CHK S. MANABE 08MAY90  
APVD S. MANABE 08MAY90

**tyco** Tyco Electronics AMP K.K.  
**Electronics** Kawasaki, Japan

NAME 名称 アンプレティス コネクター  
ケーブル クランプ キット 12極  
AMP LATTICE CONN.  
CABLE CLAMP KIT 12POS.

PRODUCT SPEC 製品規格 SEE NOTE  
APPLICATION SPEC 取付適用規格 SEE NOTE

WEIGHT

MATERIAL 材料 SEE TABLE  
FINISH 仕上 SEE TABLE

SIZE A3 CAGE CODE 00779 DRAWING NO. 番号 C-176764 RESTRICTED TO

CUSTOMER DRAWING SCALE 尺度 2:1 SHEET 1 OF 8 REV D

4

3

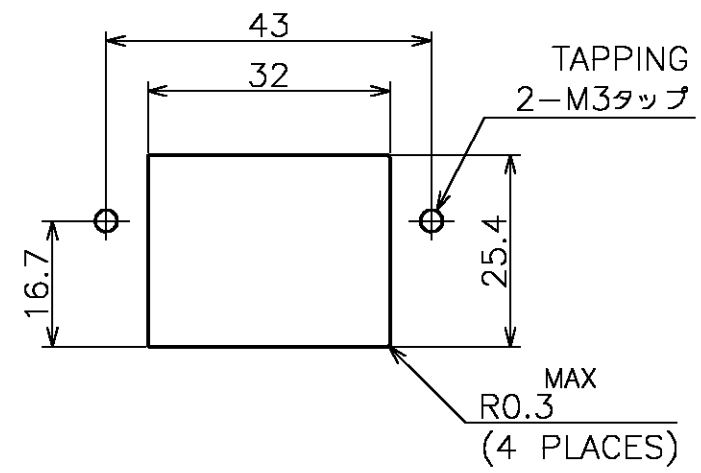
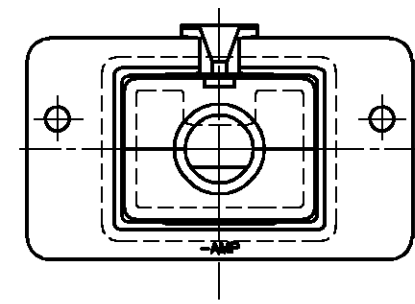
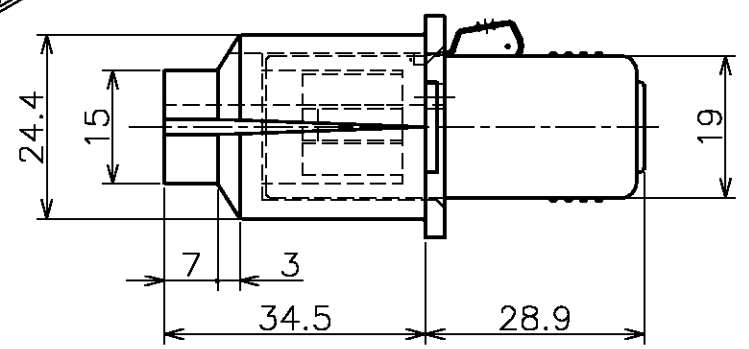
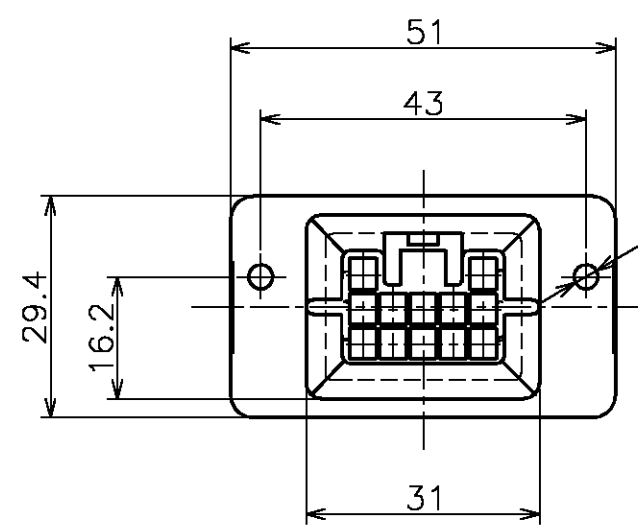
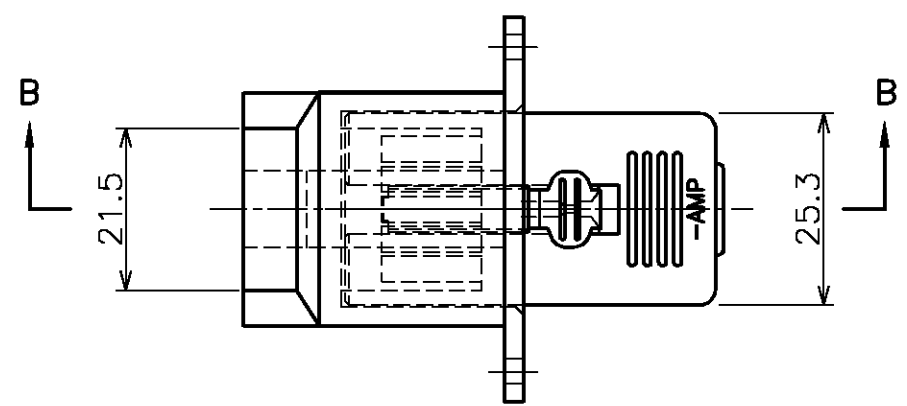
2

1

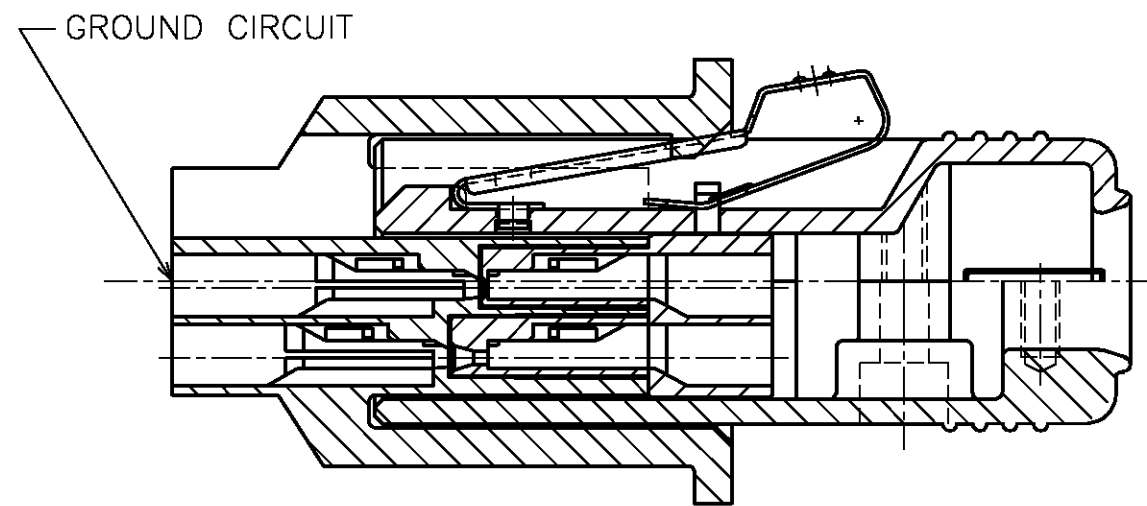
THIS DRAWING IS UNPUBLISHED. RELEASED FOR PUBLICATION MAY 1990 .  
 © COPYRIGHT 1990 BY TYCO ELECTRONICS CORPORATION. ALL RIGHTS RESERVED.

| LOC |  | DIST |     | REVISIONS   |             |      |     |      |
|-----|--|------|-----|-------------|-------------|------|-----|------|
| J   |  |      |     | 変更          | DESCRIPTION | DATE | DWN | APVD |
|     |  | P    | LTR | SEE SHEET 1 |             |      |     |      |

-1 ; AS SHOWN  
本図



パネル取付寸法  
PANEL CUT OUT DIMENSION



B-B  
(SCALE 2:1)

|   |              |                            |                                       |                 |
|---|--------------|----------------------------|---------------------------------------|-----------------|
| THIS DRAWING IS A CONTROLLED DOCUMENT.            |              | DWN                        | <b>tyco</b> Tyco Electronics AMP K.K. |                 |
| DIMENSIONS:<br>単位: 概<br>MM                        |              | CHK                        | Kawasaki, Japan                       |                 |
| TOLERANCES UNLESS<br>OTHERWISE SPECIFIED:<br>一般公差 |              | APVD                       | NAME<br>名称                            |                 |
| 0 PLC ±   |              | PRODUCT SPEC<br>製品規格       | アンブ ラティス コネクター<br>12極 嵌合状態参考図         |                 |
| 1 PLC ±   |              | APPLICATION SPEC<br>取付適用規格 | AMP LATTICE CONNECTOR 12POS.          |                 |
| 2 PLC ±   |              | WEIGHT                     | SIZE                                  | CAGE CODE       |
| 3 PLC ±   |              |                            | A3                                    | 00779           |
| 4 PLC ±   |              |                            | DRAWING NO                            | RESTRICTED TO   |
| ANGLES ±  |              |                            | C-176764                              |                 |
| MATERIAL<br>材料                                    | FINISH<br>仕上 | CUSTOMER DRAWING           |                                       | SCALE<br>尺度 1:1 |
|   |              | SHEET 2 OF 8               |                                       | REV D           |

PROJ NO.399-355

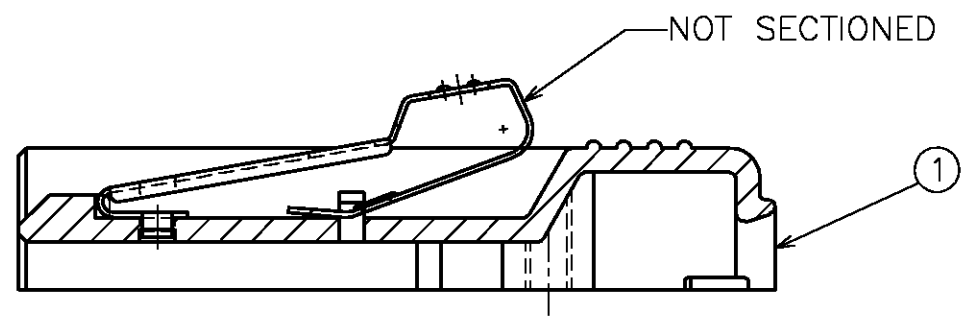
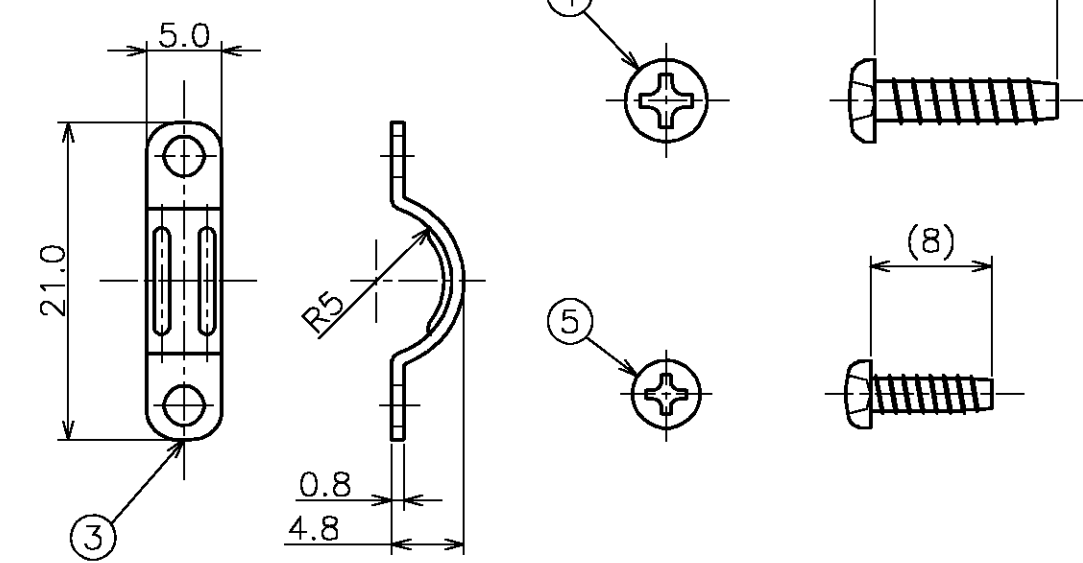
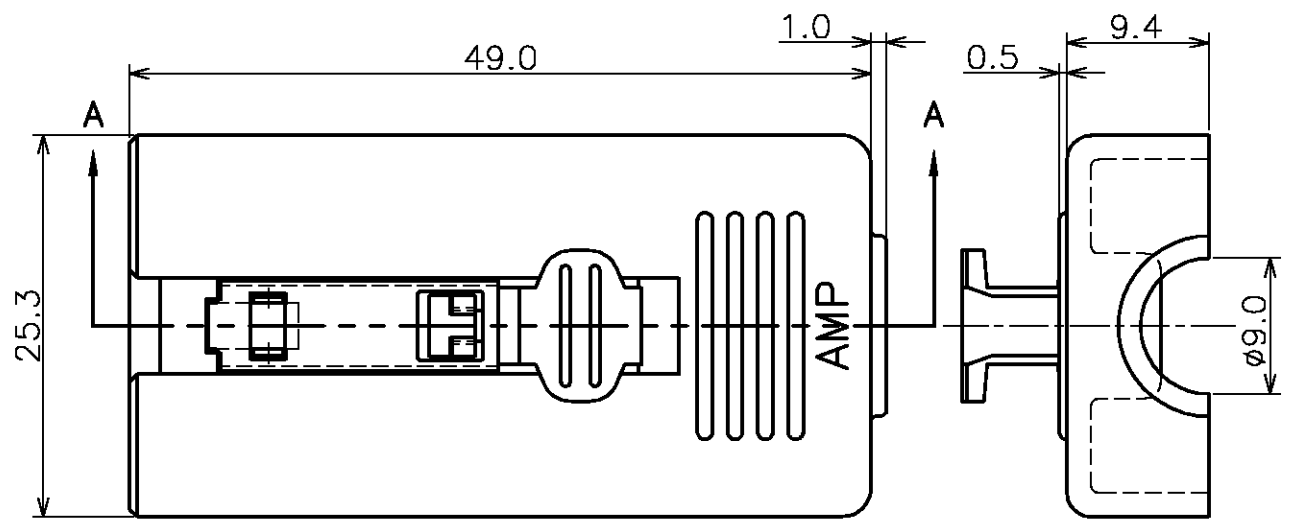
A

THIS DRAWING IS UNPUBLISHED. RELEASED FOR PUBLICATION MAY 1990.

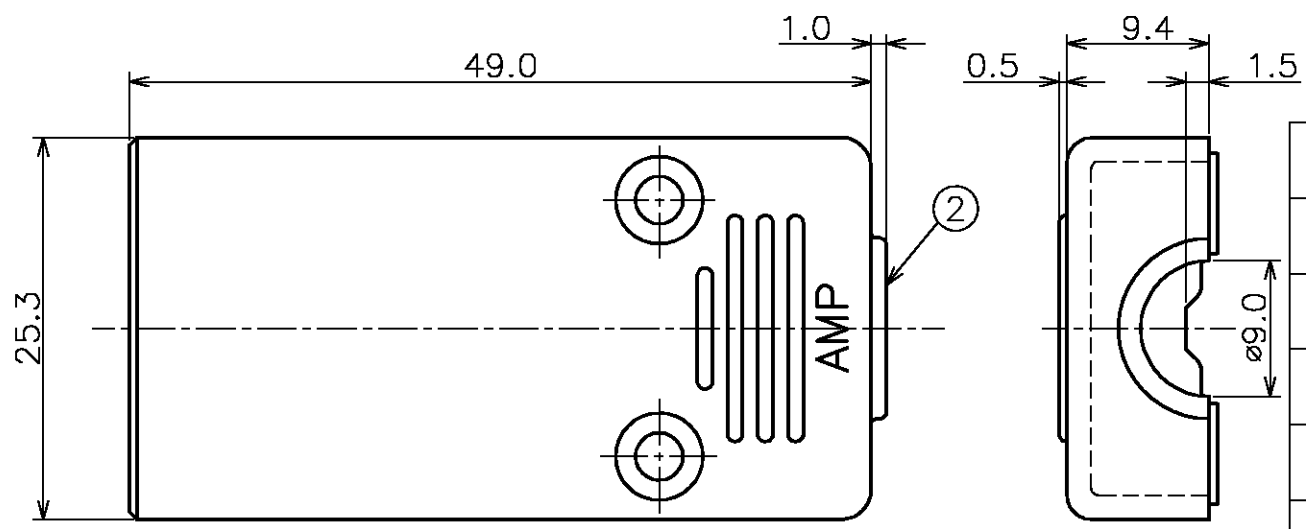
© COPYRIGHT 1990 BY TYCO ELECTRONICS CORPORATION. ALL RIGHTS RESERVED.

| LOC | DIST | REVISIONS |     |             |      |     |      |
|-----|------|-----------|-----|-------------|------|-----|------|
| J   |      | P         | LTR | DESCRIPTION | DATE | DWN | APVD |
|     |      |           |     | SEE SHEET 1 |      |     |      |

-2 ; AS SHOWN  
本図



A-A



| QTY | 材料及び仕上<br>MATERIAL & FINISH  | 名称<br>NAME   | 型番<br>P/N | ITEM<br>NO. |
|-----|--|--|-----------|-------------|
| 2   | STEEL, NICKEL PLATED<br>スチール、ニッケルめっき                                       | TAP-TIGHT B-TIGHT M2.6 SCREW<br>M2.6 タップタイト Bタイト         | 900035-1  | ⑤           |
| 2   | STEEL, NICKEL PLATED<br>スチール、ニッケルめっき                                       | TAP-TIGHT P-TIGHT M3<br>M3 タップタイト Pタイト                   | 900034-1  | ④           |
| 1   | STEEL, NICKEL PLATED<br>スチール、ニッケルめっき                                       | CLAMP<br>クランプ  | 176832-1  | ③           |
| 1   | THERMAL PLASTIC(94-HB), COLOR; ART GRAY 5.5<br>熱可塑性樹脂(94-HB), 色;アートグレイ 5.5 | COVER "B" 12POS.<br>カバー" B" 12極                          | 178930-1  | ②           |
| 1   | THERMAL PLASTIC(94-HB), COLOR; ART GRAY 5.5<br>熱可塑性樹脂(94-HB), 色;アートグレイ 5.5 | COVER "A" WITH LOCK LEVER 12POS.<br>カバー" A" ロックレバー付き 12極 | 178933-1  | ①           |

1 APPLICABLE SPECIFICATIONS  
 PRODUCT SPEC. : 108-5315  
 APPLICATION SPEC. : 114-5147  
 2 INSTRUCTION SHEET : 411-5507  
 ③ GENERAL TOLERANCE  
 0 < \* ≤ 10 : ±0.2  
 10 < \* ≤ 30 : ±0.25  
 30 < \* ≤ 100 : ±0.3  
 ANGLES : ±3'

1 適用規格  
 製品規格 : 108-5315  
 取付適用規格 : 114-5147  
 2 取扱説明書 : 411-5507  
 ③ 一般公差  
 0 < \* ≤ 10 : ±0.2  
 10 < \* ≤ 30 : ±0.25  
 30 < \* ≤ 100 : ±0.3  
 ANGLES : ±3'

THIS DRAWING IS A CONTROLLED DOCUMENT.

|   |   |      |                            |  |  |                  |               |
|---|---|------|----------------------------|--|--|------------------|---------------|
| DIMENSIONS:<br>単位: 概<br>MM  | TOLERANCES UNLESS<br>OTHERWISE SPECIFIED:<br>一般公差 | DWN  | <b>tyco</b><br>Electronics | Tyco Electronics AMP K.K.<br>Kawasaki, Japan |  |                  |               |
| 0 PLC ± ③<br>1 PLC ±<br>2 PLC ±<br>3 PLC ±<br>4 PLC ±<br>ANGLES ± | ③   | CHK  |                            | NAME<br>名称                                   | アンプ ラティス コネクター<br>ケーブル クランプ キット 12極<br>AMP LATTICE CONN.<br>CABLE CLAMP KIT 12POS. |                  |               |
| MATERIAL<br>材料  | FINISH<br>仕上                                      | APVD | PRODUCT SPEC<br>製品規格       | SIZE   | CAGE CODE  | DRAWING NO<br>番号 | RESTRICTED TO |
| SEE TABLE<br>表参照  | SEE TABLE<br>表参照                                  | APVD | APPLICATION SPEC<br>取付適用規格 | A3   | 00779  | C-176764         |               |
| CUSTOMER DRAWING  |   |      | WEIGHT                     | SCALE<br>尺度                                  |  | SHEET<br>3 OF 8  | REV<br>D      |

4

3

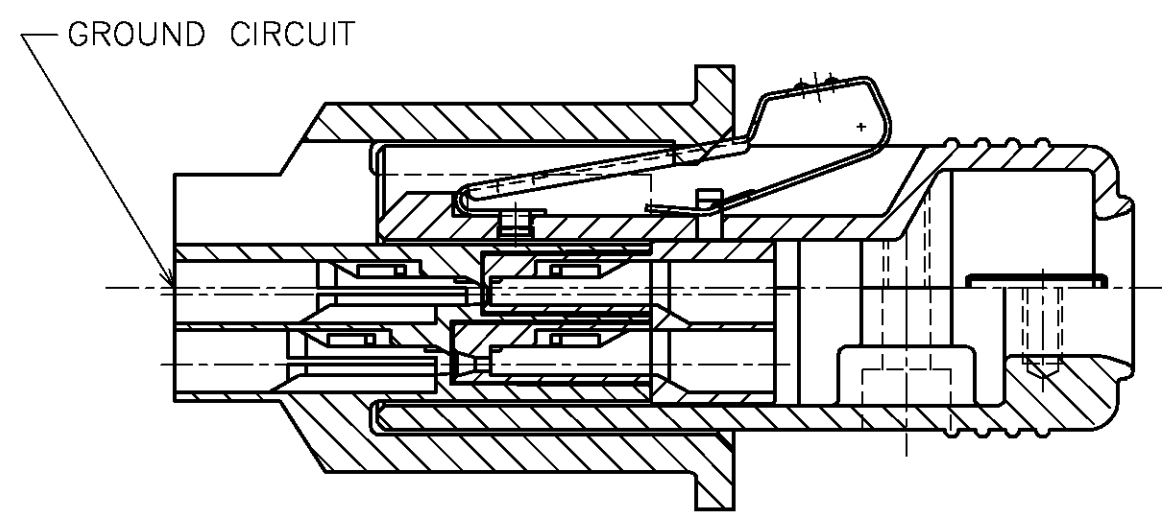
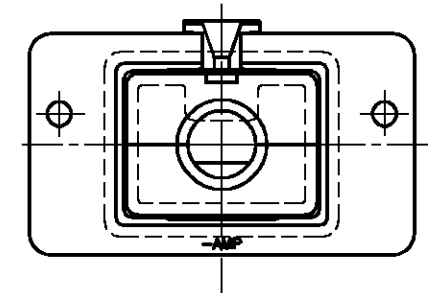
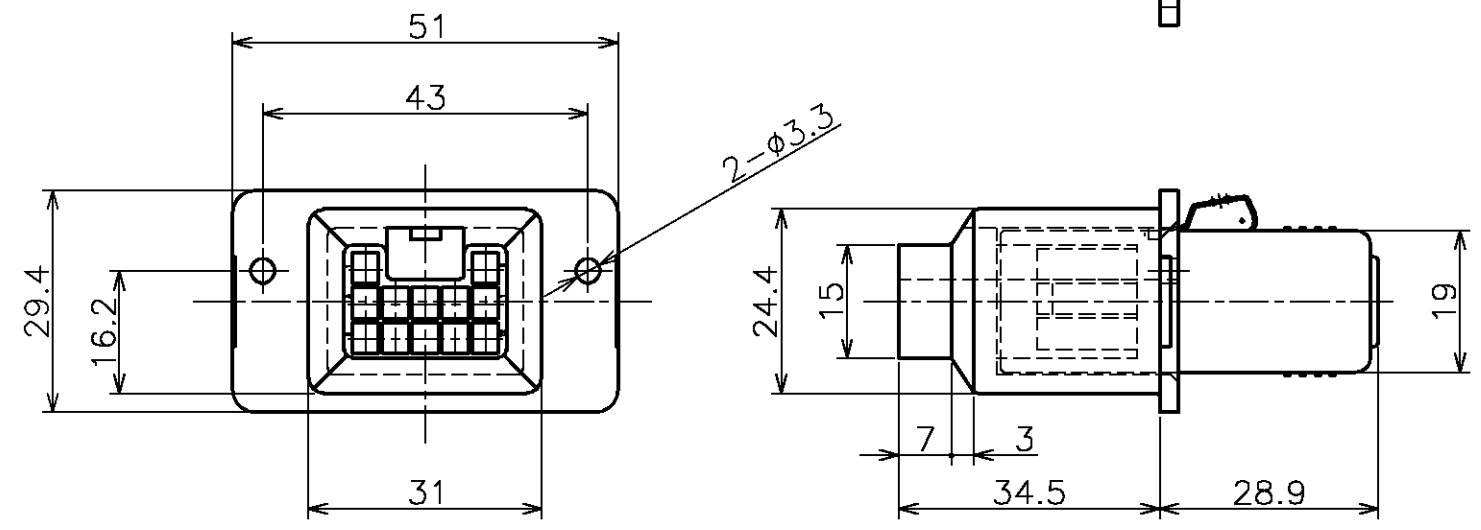
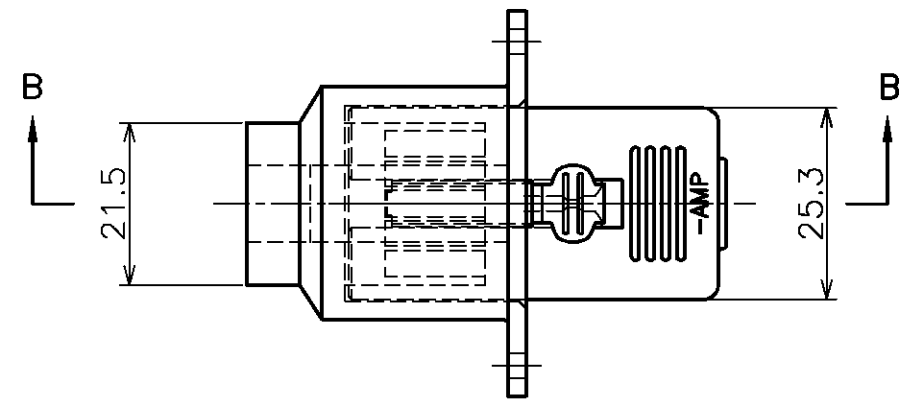
2

1

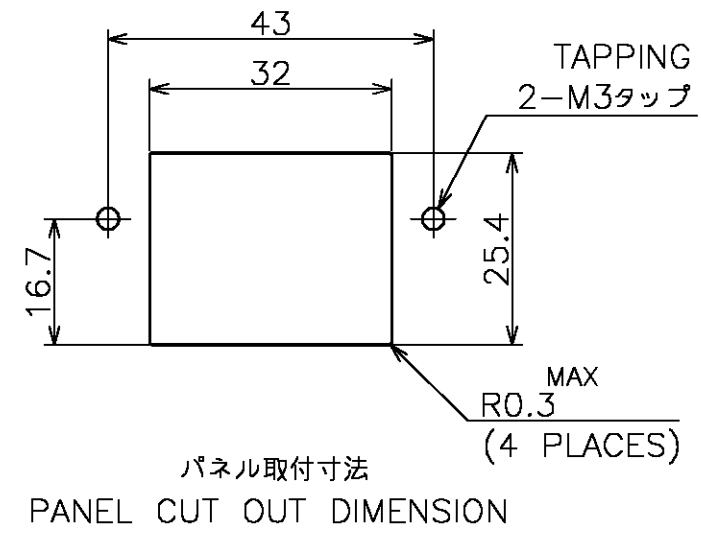
THIS DRAWING IS UNPUBLISHED. RELEASED FOR PUBLICATION MAY 1990 .  
 © COPYRIGHT 1990 BY TYCO ELECTRONICS CORPORATION. ALL RIGHTS RESERVED.

| LOC |  | DIST |  | REVISIONS |             |      |     |      |
|-----|--|------|--|-----------|-------------|------|-----|------|
| J   |  |      |  | 変更        | DESCRIPTION | DATE | DWN | APVD |
|     |  |      |  |           | SEE SHEET 1 |      |     |      |

-2 ; AS SHOWN  
本図



B-B  
(SCALE 2:1)



|   |  |                                 |                                       |  |
|---|--|---------------------------------|---------------------------------------|--|
| THIS DRAWING IS A CONTROLLED DOCUMENT.      |  | DWN                             | <b>tyco</b> Tyco Electronics AMP K.K. |  |
| DIMENSIONS: 単位: 概 MM                        |  | CHK                             | Kawasaki, Japan                       |  |
| TOLERANCES UNLESS OTHERWISE SPECIFIED: 一般公差 |  | APVD                            | NAME 名称                               |  |
| 0 PLC ±                                     |  | PRODUCT SPEC 製品規格               | アンブ ラティス コネクター                        |  |
| 1 PLC ±                                     |  | APPLICATION SPEC 取付適用規格         | 12極 嵌合状態図                             |  |
| 2 PLC ±                                     |  | WEIGHT                          | AMP LATTICE CONNECTOR 12POS.          |  |
| 3 PLC ±                                     |  | SIZE CAGE CODE DRAWING NO       |                                       |  |
| 4 PLC ±                                     |  | A3 00779 C-176764               |                                       |  |
| ANGLES ±                                    |  | RESTRICTED TO                   |                                       |  |
| MATERIAL 材料                                 |  | CUSTOMER DRAWING                |                                       |  |
| FINISH 仕上                                   |  | SCALE 尺度 1:1 SHEET 4 OF 8 REV D |                                       |  |

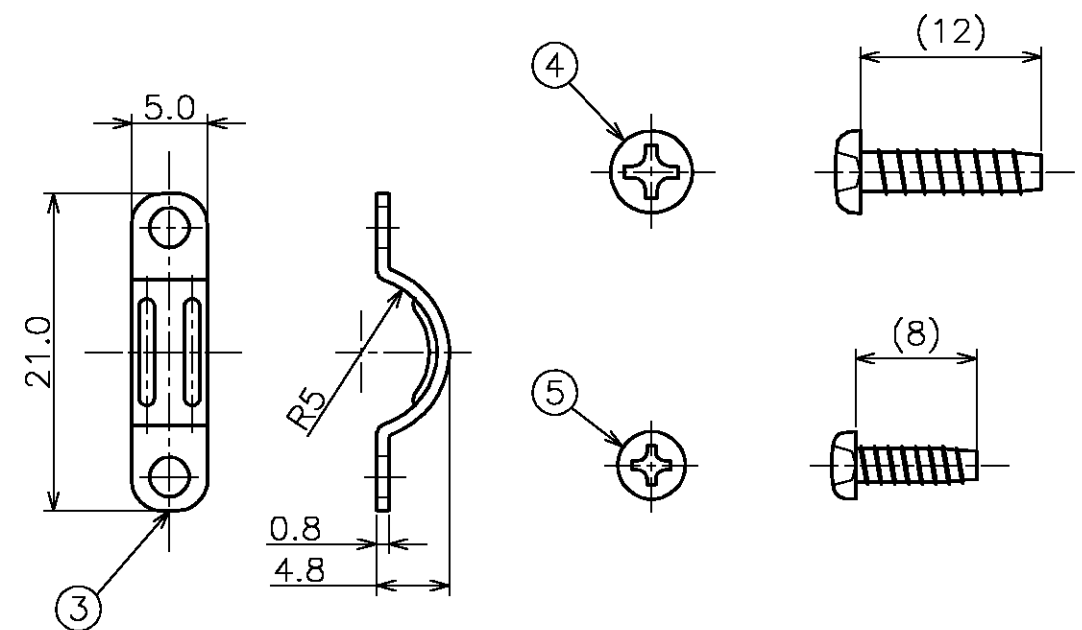
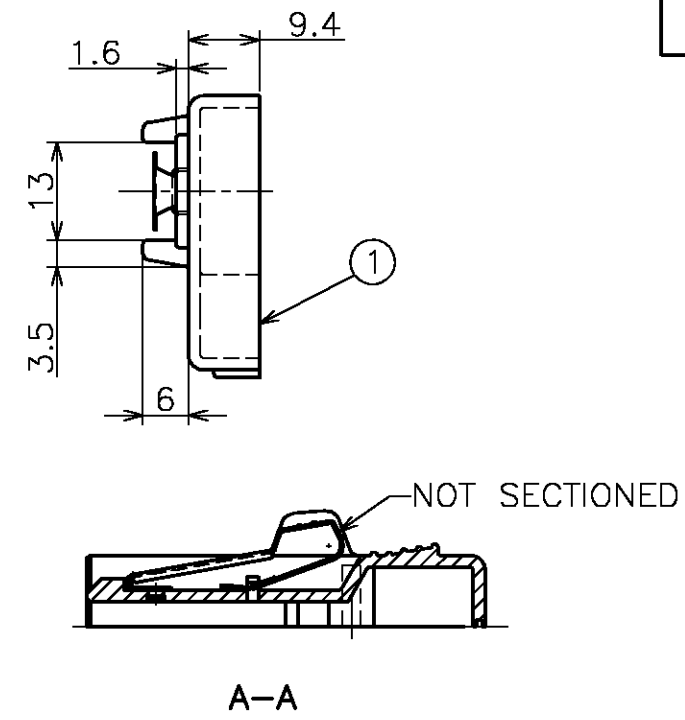
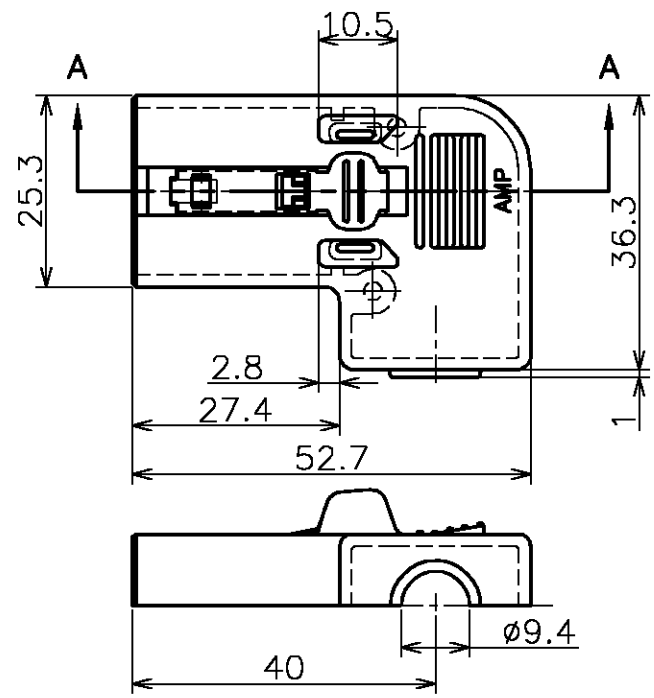
PROJ NO.399-355

A

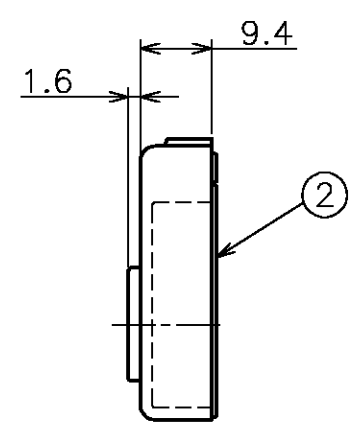
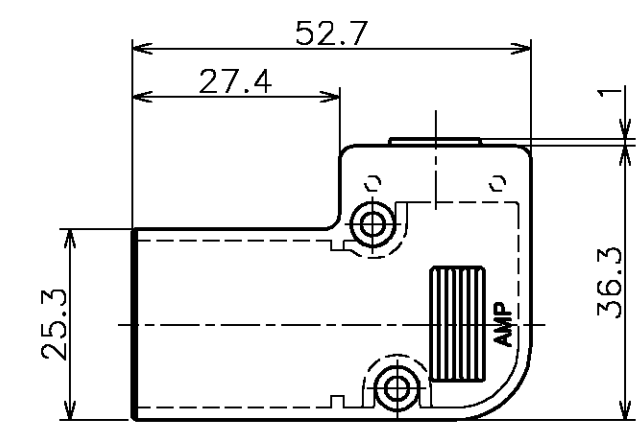
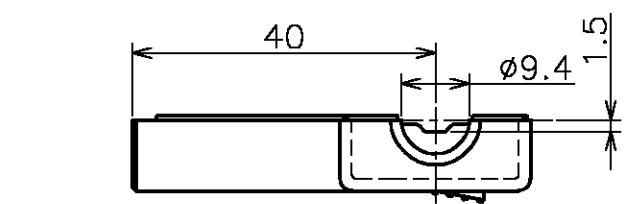
THIS DRAWING IS UNPUBLISHED. RELEASED FOR PUBLICATION MAY 1990.  
 © COPYRIGHT 1990 BY TYCO ELECTRONICS CORPORATION. ALL RIGHTS RESERVED.

| LOC | DIST | REVISIONS |     |             |      |     |      |
|-----|------|-----------|-----|-------------|------|-----|------|
| J   |      | P         | LTR | DESCRIPTION | DATE | DWN | APVD |
|     |      |           |     | SEE SHEET 1 |      |     |      |

-3 ; AS SHOWN  
本図



(SCALE 2:1)



|     |  |  |           |             |
|-----|--|--|-----------|-------------|
| 2   | STEEL, NICKEL PLATED<br>スチール、ニッケルめっき                                       | TAP-TIGHT B-TIGHT M2.6 SCREW<br>M2.6 タップタイト Bタイト           | 900035-1  | ⑤           |
| 2   | STEEL, NICKEL PLATED<br>スチール、ニッケルめっき                                       | TAP-TIGHT P-TIGHT M3<br>M3 タップタイト Pタイト                     | 900034-1  | ④           |
| 1   | STEEL, NICKEL PLATED<br>スチール、ニッケルめっき                                       | CLAMP<br>クランプ  | 176832-1  | ③           |
| 1   | THERMAL PLASTIC(94-HB), COLOR; ART GRAY 5.5<br>熱可塑性樹脂(94-HB), 色;アートグレイ 5.5 | R/A COVER "B" 12POS.<br>ライトアングル カバー"B" 12極                 | 177658-1  | ②           |
| 1   | THERMAL PLASTIC(94-HB), COLOR; ART GRAY 5.5<br>熱可塑性樹脂(94-HB), 色;アートグレイ 5.5 | R/A COVER "A" WITH LOCK 12POS.<br>ライトアングル カバー"A" ロック付き 12極 | 177659-1  | ①           |
| QTY | 材料及び仕上<br>MATERIAL & FINISH  | 名称<br>NAME   | 型番<br>P/N | ITEM<br>NO. |

1 APPLICABLE SPECIFICATIONS  
 PRODUCT SPEC. : 108-5315  
 APPLICATION SPEC. : 114-5147  
 2 INSTRUCTION SHEET : 411-5507  
 ③ GENERAL TOLERANCE  
 0 < \* ≤ 10 : ±0.2  
 10 < \* ≤ 30 : ±0.25  
 30 < \* ≤ 100 : ±0.3  
 ANGLES : ±3'

1 適用規格  
 製品規格 : 108-5315  
 取付適用規格 : 114-5147  
 2 取扱説明書 : 411-5507  
 ③ 一般公差  
 0 < \* ≤ 10 : ±0.2  
 10 < \* ≤ 30 : ±0.25  
 30 < \* ≤ 100 : ±0.3  
 ANGLES : ±3'

THIS DRAWING IS A CONTROLLED DOCUMENT.

|  |   |                  |   |            |   |       |   |       |           |                  |               |        |       |   |   |
|--|---|------------------|---|------------|---|-------|---|-------|-----------|------------------|---------------|--------|-------|---|---|
| DIMENSIONS:<br>単位: 概<br>MM   | TOLERANCES UNLESS<br>OTHERWISE SPECIFIED:<br>一般公差   | DWN              | Tyco Electronics AMP K.K.<br>Kawasaki, Japan  |            |   |       |   |       |           |                  |               |        |       |   |   |
| <table border="1"> <tr><td>0 PLC</td><td>±</td></tr> <tr><td>1 PLC</td><td>±</td></tr> <tr><td>2 PLC</td><td>±</td></tr> <tr><td>3 PLC</td><td>±</td></tr> <tr><td>4 PLC</td><td>±</td></tr> <tr><td>ANGLES</td><td>±</td></tr> </table> | 0 PLC   | ±                |   | 1 PLC      | ±   | 2 PLC | ± | 3 PLC | ±         | 4 PLC            | ±             | ANGLES | ±     | <table border="1"> <tr><td>③</td></tr> </table> | ③ |
| 0 PLC  | ±   |                  |   |            |   |       |   |       |           |                  |               |        |       |   |   |
| 1 PLC  | ±   |                  |   |            |   |       |   |       |           |                  |               |        |       |   |   |
| 2 PLC  | ±   |                  |   |            |   |       |   |       |           |                  |               |        |       |   |   |
| 3 PLC  | ±   |                  |   |            |   |       |   |       |           |                  |               |        |       |   |   |
| 4 PLC  | ±   |                  |   |            |   |       |   |       |           |                  |               |        |       |   |   |
| ANGLES   | ±   |                  |   |            |   |       |   |       |           |                  |               |        |       |   |   |
| ③  |   |                  |   |            |   |       |   |       |           |                  |               |        |       |   |   |
| MATERIAL<br>材料<br>SEE TABLE<br>表参照   | FINISH<br>仕上<br>SEE TABLE<br>表参照  | APVD             | <table border="1"> <tr> <td>NAME<br/>名称</td> <td colspan="3">アンブ ラティス コネクター<br/>ライトアングル ケーブルクランプ キット 12極<br/>AMP LATTICE CONN.<br/>R/A CABLE CLAMP KIT 12POS.</td> </tr> <tr> <td>SIZE</td> <td>CAGE CODE</td> <td>DRAWING NO<br/>番号</td> <td>RESTRICTED TO</td> </tr> <tr> <td>A3</td> <td>00779</td> <td>C-176764</td> <td></td> </tr> </table> | NAME<br>名称 | アンブ ラティス コネクター<br>ライトアングル ケーブルクランプ キット 12極<br>AMP LATTICE CONN.<br>R/A CABLE CLAMP KIT 12POS. |       |   | SIZE  | CAGE CODE | DRAWING NO<br>番号 | RESTRICTED TO | A3     | 00779 | C-176764  |   |
| NAME<br>名称   | アンブ ラティス コネクター<br>ライトアングル ケーブルクランプ キット 12極<br>AMP LATTICE CONN.<br>R/A CABLE CLAMP KIT 12POS. |                  |   |            |   |       |   |       |           |                  |               |        |       |   |   |
| SIZE   | CAGE CODE   | DRAWING NO<br>番号 | RESTRICTED TO   |            |   |       |   |       |           |                  |               |        |       |   |   |
| A3   | 00779   | C-176764         |   |            |   |       |   |       |           |                  |               |        |       |   |   |
| CUSTOMER DRAWING   |   | WEIGHT           | SCALE<br>尺度 1:1   |            |   |       |   |       |           |                  |               |        |       |   |   |
|  |   |                  | SHEET 5 OF 8  |            |   |       |   |       |           |                  |               |        |       |   |   |

4

3

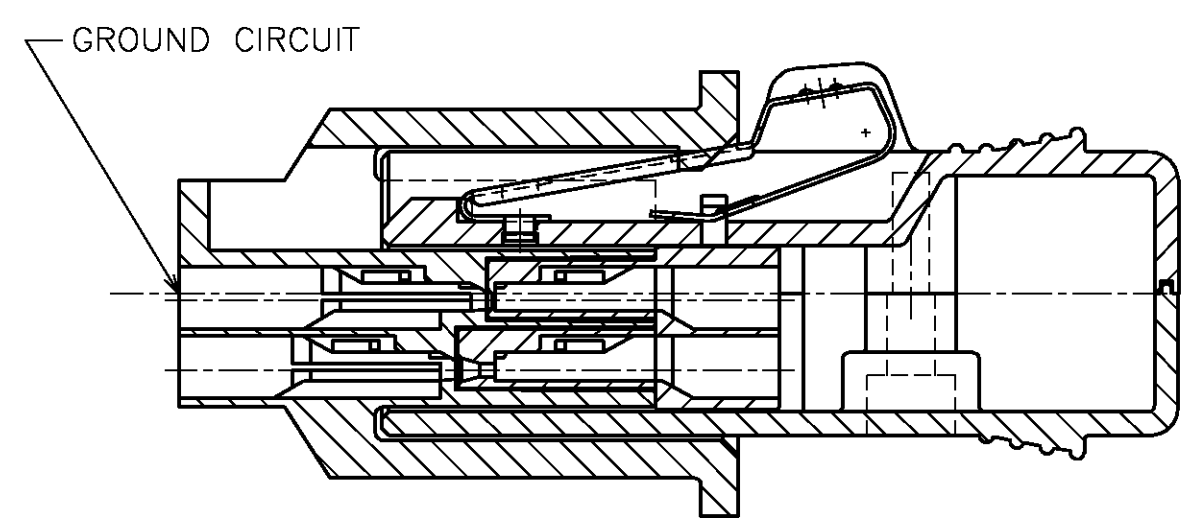
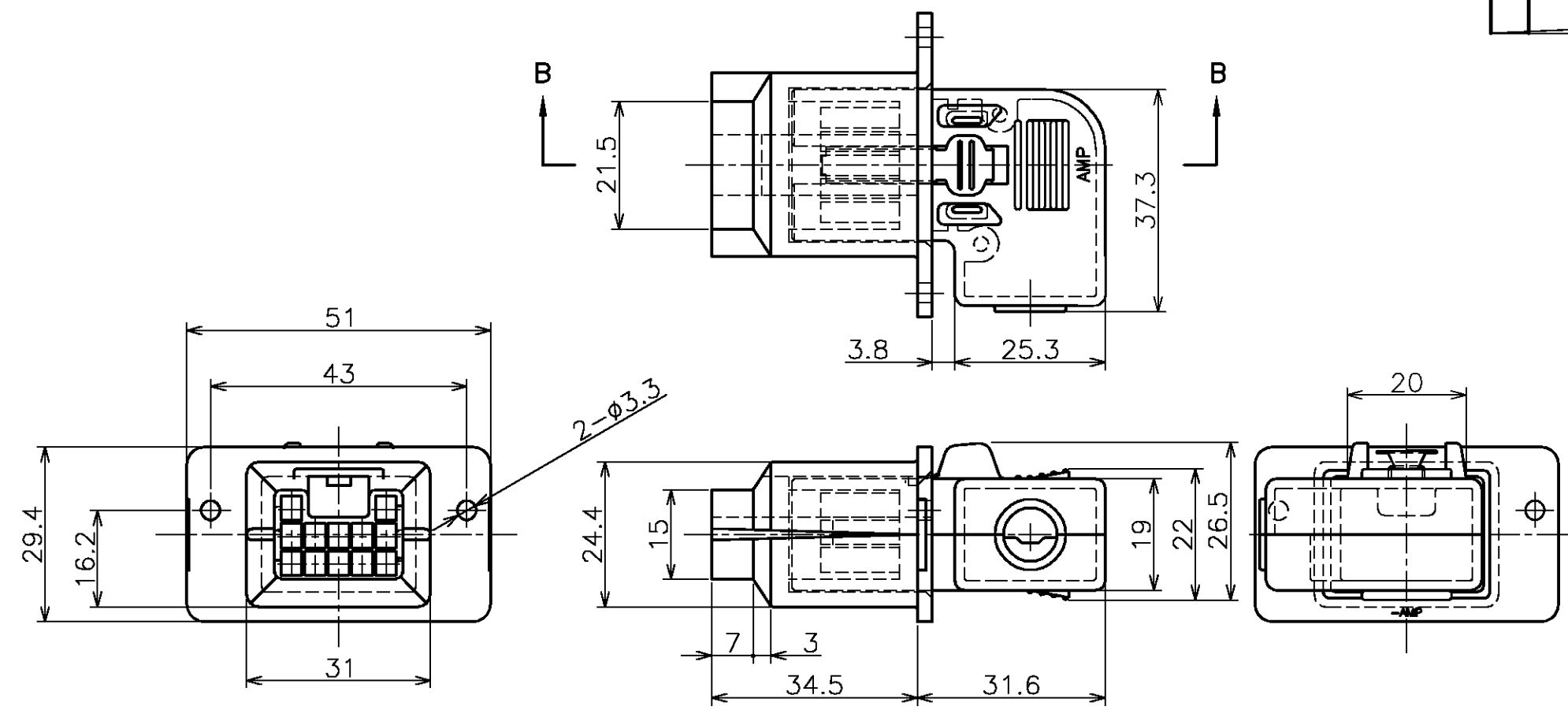
2

1

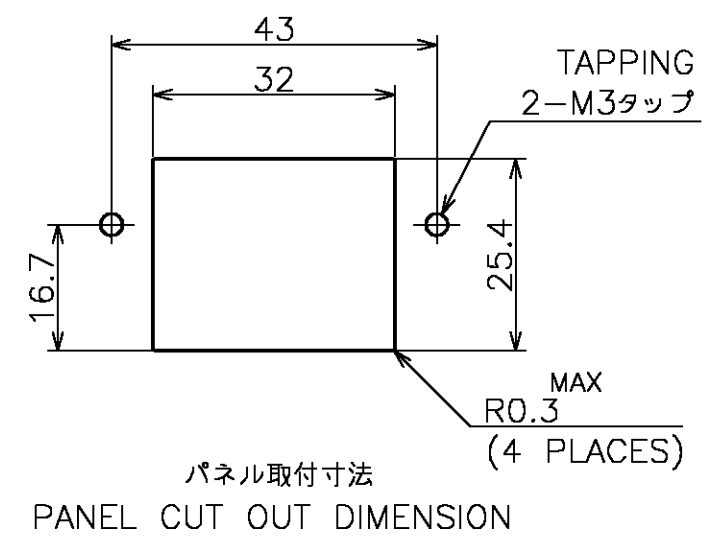
THIS DRAWING IS UNPUBLISHED. RELEASED FOR PUBLICATION MAY 1990 .  
 © COPYRIGHT 1990 BY TYCO ELECTRONICS CORPORATION. ALL RIGHTS RESERVED.

| LOC | DIST | REVISIONS |     |             |      |     |      |
|-----|------|-----------|-----|-------------|------|-----|------|
| J   |      | P         | LTR | DESCRIPTION | DATE | DWN | APVD |
|     |      |           |     | SEE SHEET 1 |      |     |      |

-3 ; AS SHOWN  
本図



B-B  
(SCALE 2:1)



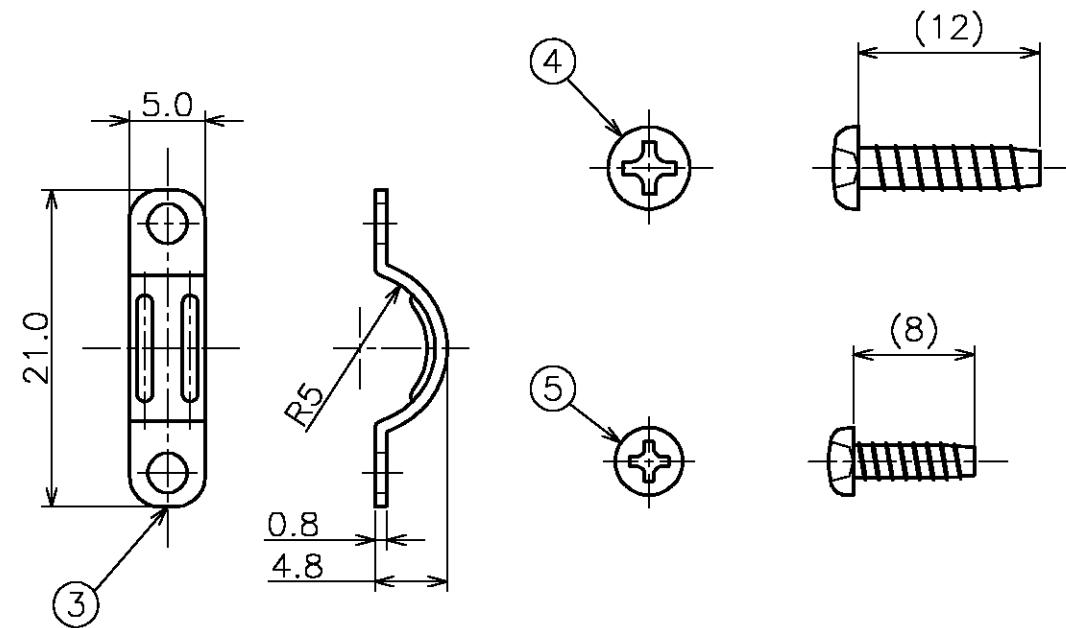
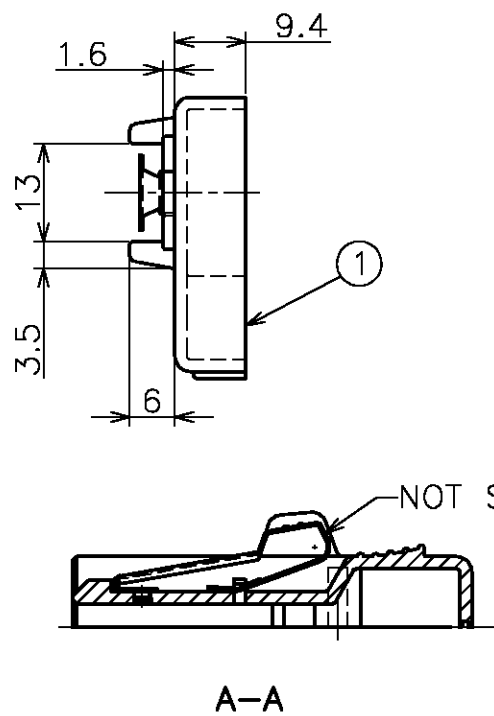
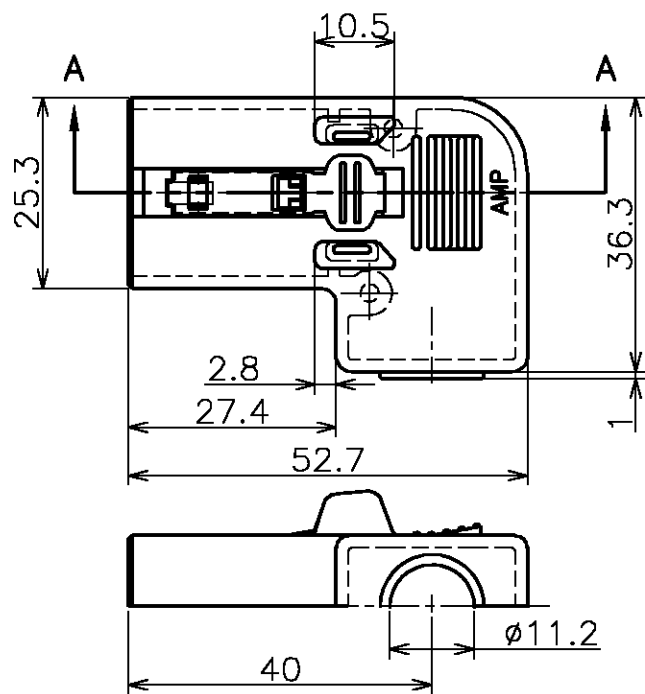
|   |  |                         |                                       |               |
|---|--|-------------------------|---------------------------------------|---------------|
| THIS DRAWING IS A CONTROLLED DOCUMENT.      |  | DWN                     | <b>tyco</b> Tyco Electronics AMP K.K. |               |
| DIMENSIONS: 単位: 概 MM                        |  | CHK                     | Kawasaki, Japan                       |               |
| TOLERANCES UNLESS OTHERWISE SPECIFIED: 一般公差 |  | APVD                    | NAME 名称                               |               |
| 0 PLC ±                                     |  | PRODUCT SPEC 製品規格       | アンブ ラティス コネクター                        |               |
| 1 PLC ±                                     |  | APPLICATION SPEC 取付適用規格 | 12極 嵌合状態図                             |               |
| 2 PLC ±                                     |  | WEIGHT                  | AMP LATTICE CONN. 12P, R/A TYPE.      |               |
| 3 PLC ±                                     |  | CUSTOMER DRAWING        | SIZE                                  | RESTRICTED TO |
| 4 PLC ±                                     |  |                         | A3                                    |               |
| ANGLES ±                                    |  | CAGE CODE               | DRAWING NO                            |               |
| MATERIAL 材料                                 |  | 00779                   | C-176764                              |               |
| FINISH 仕上                                   |  | SCALE 尺度 1:1            |                                       | SHEET 6 OF 8  |

THIS DRAWING IS UNPUBLISHED. RELEASED FOR PUBLICATION MAY 1990.

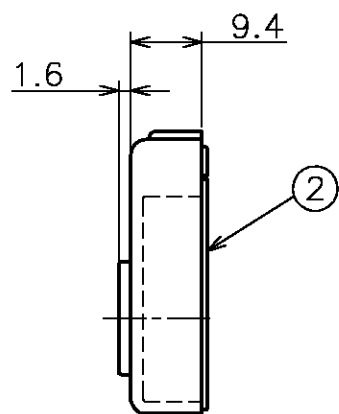
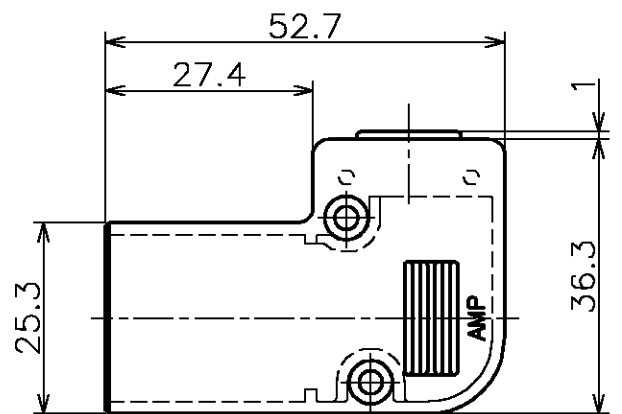
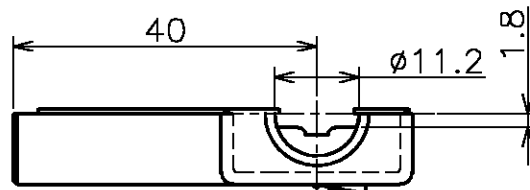
© COPYRIGHT 1990 BY TYCO ELECTRONICS CORPORATION. ALL RIGHTS RESERVED.

| LOC | DIST | REVISIONS |     |             |      |     |      |
|-----|------|-----------|-----|-------------|------|-----|------|
| J   |      | P         | LTR | DESCRIPTION | DATE | DWN | APVD |
|     |      |           |     | SEE SHEET 1 |      |     |      |

-4 ; AS SHOWN  
本図



(SCALE 2:1)



|     |  |  |           |             |
|-----|--|--|-----------|-------------|
| 2   | STEEL, NICKEL PLATED<br>スチール、ニッケルめっき                                       | TAP-TIGHT B-TIGHT M2.6 SCREW<br>M2.6 タップタイト Bタイト                   | 900035-1  | ⑤           |
| 2   | STEEL, NICKEL PLATED<br>スチール、ニッケルめっき                                       | TAP-TIGHT P-TIGHT M3<br>M3 タップタイト Pタイト                             | 900034-1  | ④           |
| 1   | STEEL, NICKEL PLATED<br>スチール、ニッケルめっき                                       | CLAMP<br>クランプ  | 176832-1  | ③           |
| 1   | THERMAL PLASTIC(94-HB), COLOR; ART GRAY 5.5<br>熱可塑性樹脂(94-HB), 色;アートグレイ 5.5 | R/A COVER "B" 12POS. (φ10.5)<br>ライトアングル カバー"B" 12極                 | 177658-2  | ②           |
| 1   | THERMAL PLASTIC(94-HB), COLOR; ART GRAY 5.5<br>熱可塑性樹脂(94-HB), 色;アートグレイ 5.5 | R/A COVER "A" WITH LOCK 12POS. (φ10.5)<br>ライトアングル カバー"A" ロック付き 12極 | 177659-2  | ①           |
| QTY | 材料及び仕上<br>MATERIAL & FINISH  | 名称<br>NAME   | 型番<br>P/N | ITEM<br>NO. |

- 1 APPLICABLE SPECIFICATIONS  
 PRODUCT SPEC. : 108-5315  
 APPLICATION SPEC. : 114-5147  
 2 INSTRUCTION SHEET : 411-5507  
 ③ GENERAL TOLERANCE  
 0 < \* ≤ 10 : ±0.2  
 10 < \* ≤ 30 : ±0.25  
 30 < \* ≤ 100 : ±0.3  
 ANGLES : ±3'

- 1 適用規格  
 製品規格 : 108-5315  
 取付適用規格 : 114-5147  
 2 取扱説明書 : 411-5507  
 ③ 一般公差  
 0 < \* ≤ 10 : ±0.2  
 10 < \* ≤ 30 : ±0.25  
 30 < \* ≤ 100 : ±0.3  
 ANGLES : ±3'

THIS DRAWING IS A CONTROLLED DOCUMENT.

|   |   |                            |                            |  |  |
|---|---|----------------------------|----------------------------|--|--|
| DIMENSIONS:<br>単位: 概<br>MM  | TOLERANCES UNLESS<br>OTHERWISE SPECIFIED:<br>一般公差 | DWN                        | <b>tyco</b><br>Electronics | Tyco Electronics AMP K.K.<br>Kawasaki, Japan |  |
| 0 PLC ± ③<br>1 PLC ±<br>2 PLC ±<br>3 PLC ±<br>4 PLC ±<br>ANGLES ± |   | CHK                        |                            | NAME<br>名称                                   | アンブ ラティス コネクター (φ10.5)<br>ライトアングル ケーブルクランプ キット 12極 |
| MATERIAL<br>材料  | FINISH<br>仕上                                      | APVD                       | PRODUCT SPEC<br>製品規格       | AMP LATTICE CONN.                            |  |
| SEE TABLE<br>表参照  | SEE TABLE<br>表参照                                  | APPLICATION SPEC<br>取付適用規格 | SEE NOTE                   | R/A CABLE CLAMP KIT 12POS.                   |  |
|   |   | WEIGHT                     | SIZE                       | CAGE CODE                                    | DRAWING NO<br>番号                                   |
|   |   |                            | A3                         | 00779  | C-176764   |
|   |   | CUSTOMER DRAWING           | SCALE<br>尺度                | SHEET  | REV  |
|   |   |                            | 1:1                        | 7 OF 8                                       | D  |

4

3

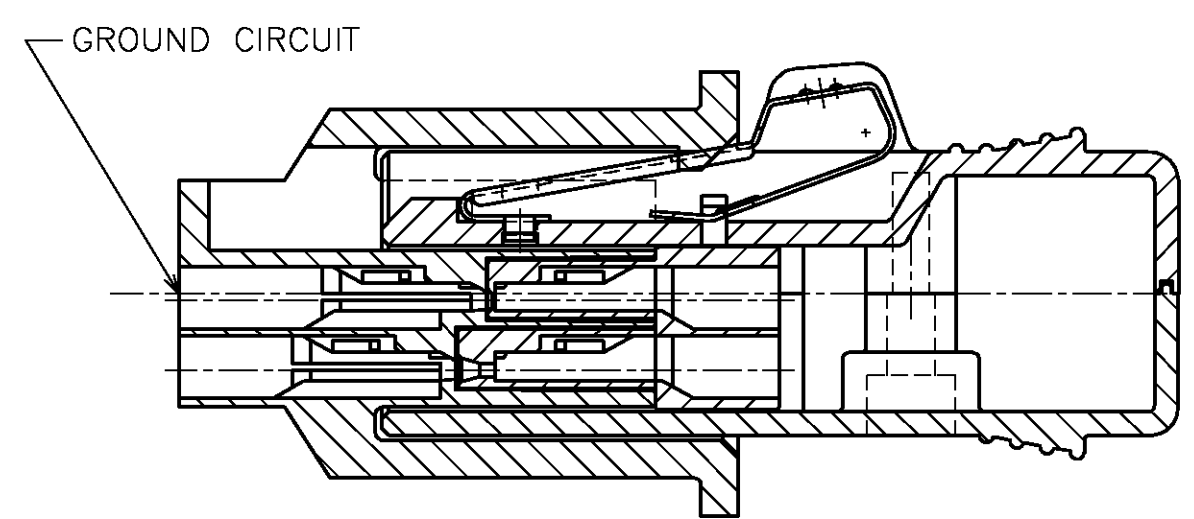
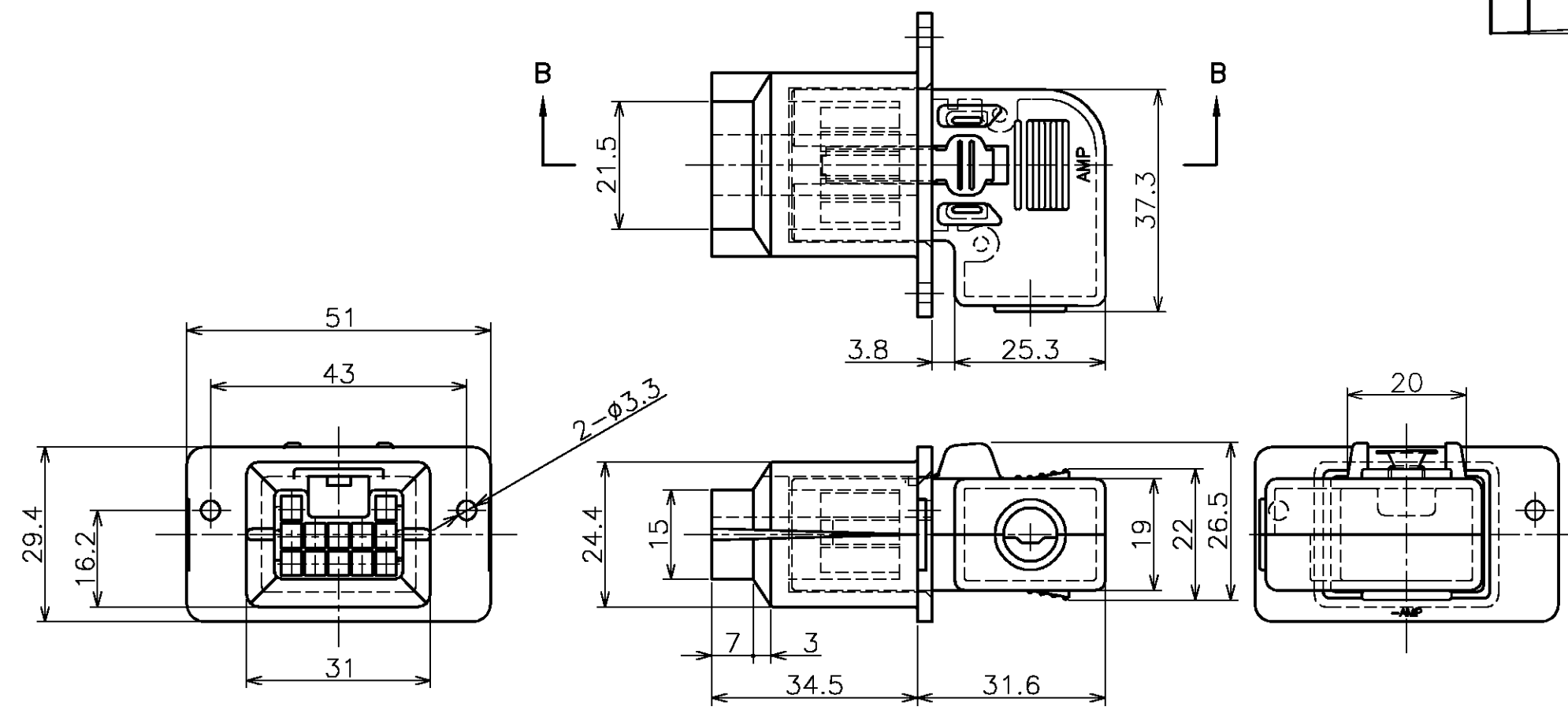
2

1

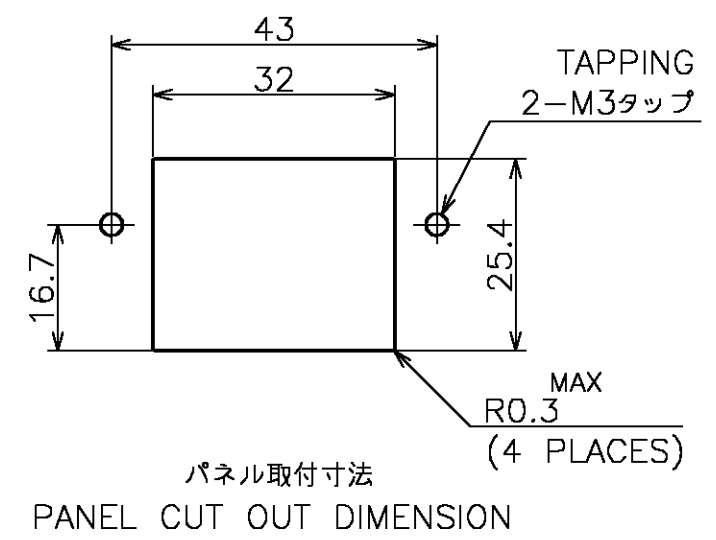
THIS DRAWING IS UNPUBLISHED. RELEASED FOR PUBLICATION MAY 1990 .  
 © COPYRIGHT 1990 BY TYCO ELECTRONICS CORPORATION. ALL RIGHTS RESERVED.

| LOC | DIST | REVISIONS |     |             |      |     |      |
|-----|------|-----------|-----|-------------|------|-----|------|
| J   |      | P         | LTR | DESCRIPTION | DATE | DWN | APVD |
|     |      |           |     | SEE SHEET 1 |      |     |      |

-4 ; AS SHOWN  
本図



B-B  
(SCALE 2:1)



パネル取付寸法  
PANEL CUT OUT DIMENSION

|   |  |                         |  |               |
|---|--|-------------------------|--|---------------|
| THIS DRAWING IS A CONTROLLED DOCUMENT.      |  | DWN                     | <b>tyco</b> Tyco Electronics AMP K.K.    |               |
| DIMENSIONS: 単位: 概 MM                        |  | CHK                     | Kawasaki, Japan                          |               |
| TOLERANCES UNLESS OTHERWISE SPECIFIED: 一般公差 |  | APVD                    | NAME 名称                                  |               |
| 0 PLC ±                                     |  | PRODUCT SPEC 製品規格       | アンブ ラティス コネクター                           |               |
| 1 PLC ±                                     |  | APPLICATION SPEC 取付適用規格 | 12極 嵌合状態図                                |               |
| 2 PLC ±                                     |  | WEIGHT                  | AMP LATTICE CONN. 12P, R/A TYPE. (Ø10.5) |               |
| 3 PLC ±                                     |  | CUSTOMER DRAWING        | SIZE                                     | RESTRICTED TO |
| 4 PLC ±                                     |  |                         | A3                                       |               |
| ANGLES ±                                    |  | CAGE CODE               | DRAWING NO                               |               |
| MATERIAL 材料                                 |  | 00779                   | C-176764                                 |               |
| FINISH 仕上                                   |  | SCALE 尺度 1:1            |  | SHEET 8 OF 8  |