

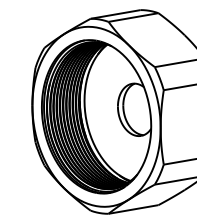
NOTES:

I. MATERIAL AND PLATING:

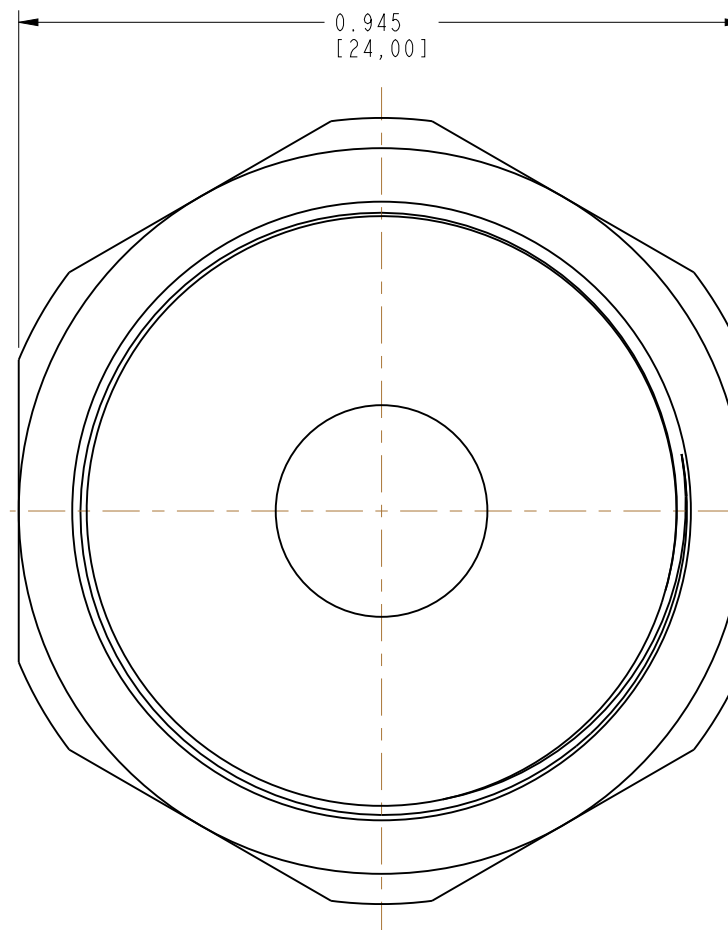
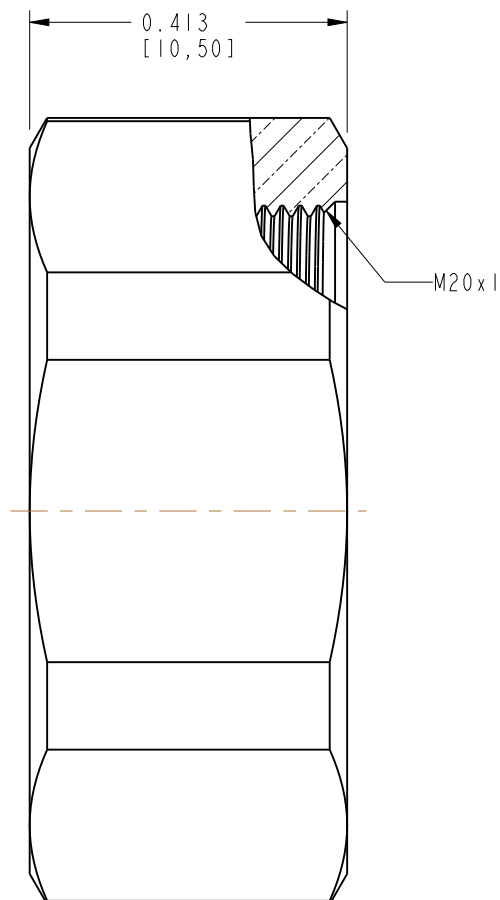
CAP : BRASS, PLATING = NICKEL (5um MIN.)  
 GASKET : SILICONE RUBBER

II. WATERPROOFING STANDARD : IP 67

202122		REVISIONS			
DRAWING NO.	REV	DESCRIPTION	DATE	ECO	APPR
THIRD ANGLE PROJ.	A	RELEASE TO MFG.	13-Sep-13	--	RAK/BG



SCALE 1.000



**CUSTOMER OUTLINE DRAWING**

ALL OTHER SHEETS ARE FOR INTERNAL USE ONLY

UNLESS OTHERWISE SPECIFIED, DIMENSIONS ARE IN INCHES AND TOLERANCES ARE: 2 PLACE DECIMAL      3 PLACE DECIMAL      ANGLES ±.015 (0,381 mm)      ±.005 (0,127 mm)      ± 1°	MATERIAL	DRAWN	DATE	TITLE	Amphenol Connex
	SEE NOTES	ABHAYA KISHORE	05-Sep-13	4.1/9.5 FEMALE CAP	
NOTICE - These drawings, specifications, or other data (1) are, and remain the property of Amphenol Corp. (2) must be returned upon request; and (3) are confidential and not to be disclosed to any person other than those to whom they are given by Amphenol Corp. The furnishing of these drawings, specifications, or other data by Amphenol Corp., or to any other person to anyone for any purpose is not to be regarded by implication or otherwise in any manner licensing, granting rights or permitting such holder or any other person to manufacture, use or sell any product, process or design, patented or otherwise, that may in any way be related to or disclosed by said drawings, specifications, or other data.	REFERENCE	ENGINEER	DATE		
		ABHAYA KISHORE	05-Sep-13		
		APPROVED	DATE		
		B.C. GLEISSNER	13-Sep-13		
		CAD FILE		DWG SIZE	DRAWING NO.
				B	202122
					REV A
					SCALE: 4.0:1 SHEET 1 OF 1